

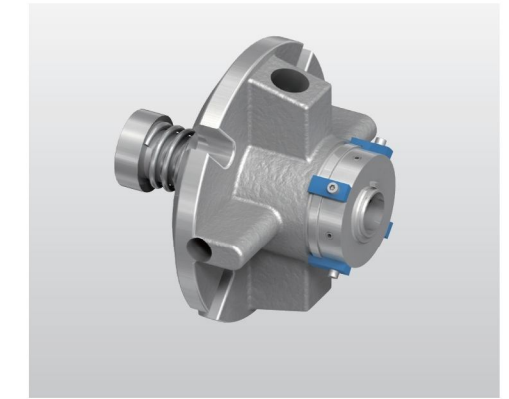
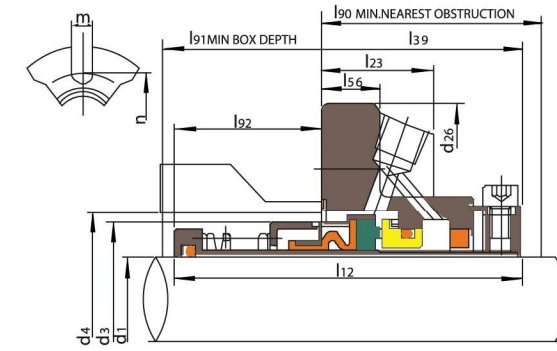
### TSSC-J03

#### Operating Limits

Pressure: ≤2.8MPa  
 Speed: ≤25m/s  
 Temperature: -30 °C ~205 °C

- Rotary Ring(SiC/Carbon/TC)
- Stationary Ring(SiC/ TC)
- Secondary Seal(VITON/Encapsulated Ring/PTFE)
- Other Parts(SUS304/SUS316/Titanium/Hastelloy-C)

d <sub>1</sub> (mm)	d <sub>3</sub>	d <sub>4</sub>		d <sub>26</sub>	l <sub>12</sub>	l <sub>23</sub>	l <sub>39</sub>	l <sub>56</sub>	l <sub>90</sub>	l <sub>91</sub>	l <sub>92</sub>	m	n
		min	max										
25	34.9	38.1	48.0	101.6	69.6	34.4	49.6	13.5	50.8	23.1	20.0	13.3	71.2
28	38.1	41.3	51.2	104.8	65.9	36.7	52.4	13.5	54.0	16.7	13.5	13.3	74.5
30	42.8	46.0	56.5	108.0	69.0	36.7	52.4	13.5	54.0	19.8	16.7	13.3	81.6
32	42.8	46.0	58.3	108.0	69.0	36.7	52.4	13.5	54.0	19.8	16.7	13.3	81.6
33	46.0	49.2	61.5	111.1	66.7	36.7	52.4	13.5	54.0	17.5	14.3	13.3	84.8
35	46.0	49.2	61.5	111.1	66.7	36.7	52.4	13.5	54.0	17.5	14.3	13.3	84.8
38	50.8	54.0	68.1	123.8	75.2	37.8	54.0	15.1	55.6	24.4	21.2	13.3	91.4
40	54.0	57.2	71.4	127.0	76.8	37.8	54.0	15.1	55.6	26.0	22.8	14.3	95.7
43	57.2	60.3	74.1	133.4	77.2	37.8	54.0	15.1	55.6	26.4	23.2	14.3	98.4
45	57.2	60.3	74.1	133.4	77.2	37.8	54.0	15.1	55.6	26.4	23.2	14.3	98.4
48	60.3	63.5	74.1	133.4	77.2	37.8	54.0	15.1	55.6	26.4	23.2	14.3	98.4
50	68.2	69.9	76.6	139.7	87.7	40.7	58.7	27.0	60.3	32.2	29.0	14.3	101.6
53	71.4	73.0	85.3	148.8	87.7	40.7	58.7	15.1	60.3	32.2	29.0	17.4	113.5
55	69.9	73.0	85.3	148.8	90.9	40.7	58.7	15.1	60.3	35.4	32.2	17.4	113.5
58	69.9	75.0	88.5	165.1	90.9	40.7	58.7	15.1	60.3	35.4	32.2	17.4	116.0
60	77.8	79.4	91.7	165.1	88.1	43.6	62.6	15.9	64.2	28.6	25.5	17.4	119.9
63	82.6	85.7	98.8	171.5	97.3	43.6	65.1	15.9	66.7	35.4	32.2	17.4	127.0
65	82.6	85.7	98.8	171.5	97.3	43.6	65.1	15.9	66.7	35.4	32.2	17.4	127.0
68	88.9	92.1	103.2	171.5	101.0	41.2	63.5	15.9	65.1	40.7	37.5	17.4	131.3
70	88.9	92.1	103.2	171.5	101.0	41.2	63.5	17.4	65.1	40.7	37.5	17.4	131.3
75	100.0	101.6	113.5	196.9	106.0	45.4	65.1	\	66.7	44.1	40.9	20.6	145.3
80	103.2	104.8	116.8	188.9	106.4	40.5	63.8	\	66.9	45.8	42.6	20.6	148.5
85	109.5	111.1	123.2	206.4	111.1	40.5	65.1	\	68.3	49.2	46.1	20.6	154.8
90	115.9	117.5	129.5	212.7	117.5	40.5	65.1	\	68.3	55.6	52.4	17.4	158.8
95	117.7	120.0	132.1	222.3	112.7	40.5	65.1	\	68.3	50.8	47.6	17.4	172.0
100	125.4	127.8	139.7	228.6	122.2	40.5	65.1	\	68.3	60.3	57.2	20.6	171.7
125	165.1	167.5	184.4	304.8	146.0	41.4	77.3	\	80.5	71.9	68.8	20.6	254.0



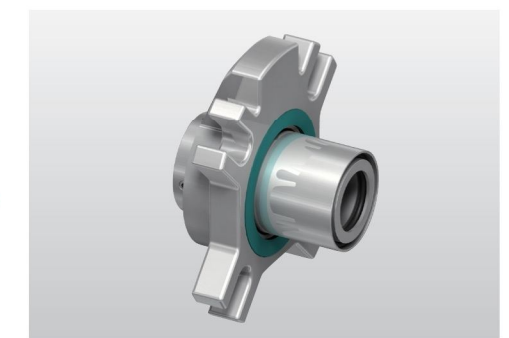
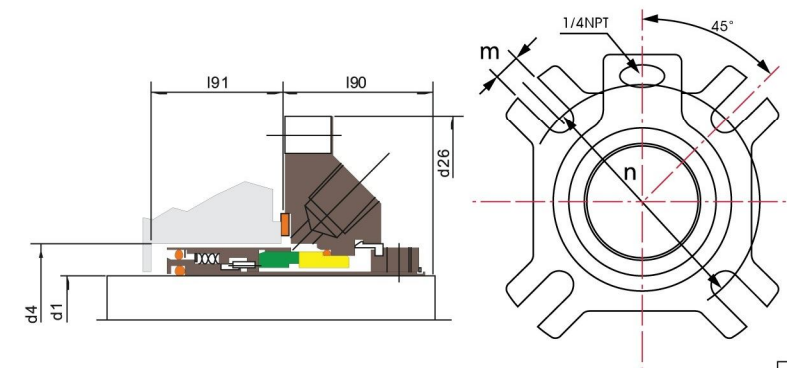
### TSSC-J04

#### Operating Limits

Pressure: ≤2.8MPa  
 Speed: ≤25m/s  
 Temperature: -30 °C ~+205 °C

- Rotary Ring(SiC/Carbon/TC)
- Stationary Ring(SiC/TC)
- Secondary Seal(VITON/Encapsulated Ring/PTFE)
- Other Parts(SUS304/SUS316/Titanium/Hastelloy-C)

d <sub>1</sub> (mm)	d <sub>3</sub>	d <sub>4</sub>		d <sub>26</sub>	l <sub>12</sub>	l <sub>23</sub>	l <sub>39</sub>	l <sub>56</sub>	l <sub>90</sub>	l <sub>91</sub>	l <sub>92</sub>	m	n
		min	max										
25	39.7	41.3	48.0	101.6	84.5	34.4	49.6	13.5	50.8	38.0	34.9	13.3	71.2
28	42.9	44.5	51.2	104.8	80.8	36.7	52.4	13.5	54.0	31.6	28.5	13.3	74.5
30	44.5	46.1	56.5	108.0	81.7	36.7	52.4	13.5	54.0	32.5	29.4	13.3	81.6
32	45.0	47.6	58.3	108.0	86.1	36.7	52.4	13.5	54.0	36.9	33.7	13.3	81.6
33	49.2	50.8	61.5	111.1	83.6	36.7	52.4	13.5	54.0	34.4	31.2	13.3	84.8
35	49.2	50.8	61.5	111.1	83.6	36.7	52.4	13.5	54.0	34.4	31.2	13.3	84.8
38	54.8	56.3	68.1	123.8	90.1	37.8	54.0	15.1	55.6	39.3	36.1	13.3	91.4
40	57.9	59.5	71.4	127.0	91.7	37.8	54.0	15.1	55.6	40.9	37.7	14.3	95.7
43	61.1	63.0	74.1	133.4	92.1	37.8	54.0	15.1	55.6	41.3	38.1	14.3	98.4
45	61.1	63.0	74.1	133.4	92.1	37.8	54.0	15.1	55.6	41.3	38.1	14.3	98.4
48	64.3	66.7	74.1	133.4	92.1	37.8	54.0	15.1	55.6	41.3	38.1	14.3	98.4
50	68.2	70.0	76.6	139.7	102.7	40.7	58.7	27.0	60.3	47.1	43.9	14.3	101.6
53	71.4	73.0	85.3	148.8	102.7	40.7	58.7	15.1	60.3	47.1	43.9	17.4	113.5
55	74.6	76.7	85.3	148.8	105.8	40.7	58.7	15.1	60.3	50.3	47.1	17.4	113.5
58	74.6	76.2	88.5	165.1	105.8	40.7	58.7	15.1	60.3	50.3	47.1	17.4	116.0
60	77.8	79.4	91.7	165.1	103.2	43.6	62.6	15.9	64.2	43.7	40.5	17.4	119.9
63	82.6	85.7	98.8	171.5	109.9	43.6	65.1	15.9	66.7	48.0	44.8	17.4	127.0
65	82.6	85.7	98.8	171.5	109.9	43.6	65.1	15.9	66.7	48.0	44.8	17.4	127.0
68	88.9	92.1	103.2	171.5	116.0	41.2	63.5	15.9	65.1	55.7	52.5	17.4	131.3
70	88.9	92.1	103.2	171.5	116.0	41.2	63.5	15.9	65.1	55.7	52.5	17.4	131.3
75	100.0	101.6	113.5	196.9	120.7	45.4	65.1	17.4	66.7	58.8	55.6	20.6	145.3
80	103.2	104.8	116.8	188.9	119.8	40.5	63.8	\	66.9	59.3	56.1	20.6	148.4
85	109.5	111.1	123.2	206.4	126.2	40.5	65.1	\	68.3	64.3	61.1	20.6	154.8
90	115.9	117.5	129.5	212.7	132.5	40.5	65.1	\	68.3	70.6	67.5	17.4	158.8
95	119.1	121.4	132.1	222.3	127.8	40.5	65.1	\	68.3	65.9	62.7	17.4	172.0
100	127.5	129.9	139.7	228.6	137.3	40.5	65.1	\	68.3	75.4	72.2	20.6	171.7
125	165.1	167.5	184.4	304.8	162.7	44.4	77.2	\	80.5	88.5	88.4	20.6	254.0



### TSSC-J05

#### Operating Limits

Pressure: ≤2.1MPa  
 Speed: ≤18m/s  
 Temperature: ≤+205 °C

- Rotary Ring(SiC/Carbon/TC)
- Stationary Ring(SiC/TC)
- Secondary Seal(VITON/Encapsulated Ring/PTFE)
- Other Parts(SUS304/SUS316/Titanium/Hastelloy-C)

d <sub>1</sub> (mm)	d <sub>4</sub>		d <sub>26</sub>	l <sub>90</sub>	l <sub>91</sub>	n		m
	min	max				min	max	
24	40.0	49.2	104.8	36.0	32	66.7	95.3	11.1
25	41.0	49.2	104.8	36.0	32	66.7	95.3	11.1
28	44.0	52.4	108.0	36.0	32	69.9	98.4	11.1
30	46.0	55.6	111.0	36.0	32	73.0	101.6	11.1
32	47.6	55.6	111.0	36.0	32	73.0	101.6	11.1
33	49.0	58.7	114.3	36.0	32	73.0	101.6	11.1
35	50.8	58.7	114.3	36.0	32	77.8	104.8	11.1
38	57.2	63.5	127.0	37.0	33	87.3	114.3	14.3
40	60.0	63.5	127.0	37.0	33	87.3	114.3	14.3
43	63.0	66.7	133.4	37.0	33	90.5	120.7	14.3
45	63.5	66.7	133.4	37.0	33	90.5	120.7	14.3
48	66.7	76.2	139.7	37.0	33	98.4	127.0	14.3
50	69.8	76.2	139.7	37.0	33	98.4	127.0	14.3
53	73.0	84.1	146.0	37.0	33	111.1	130.2	17.5
55	73.0	84.1	146.0	37.0	33	111.1	130.2	17.5
58	79.4	90.5	152.4	37.0	33	117.5	136.5	17.5
60	79.4	90.5	152.4	37.0	33	117.5	136.5	17.5
63	82.6	98.4	158.8	37.0	36	123.8	142.9	17.5
65	88.9	98.4	158.8	37.5	36	123.8	142.9	17.5
70	95.0	98.4	158.8	37.5	36	123.8	142.9	17.5