

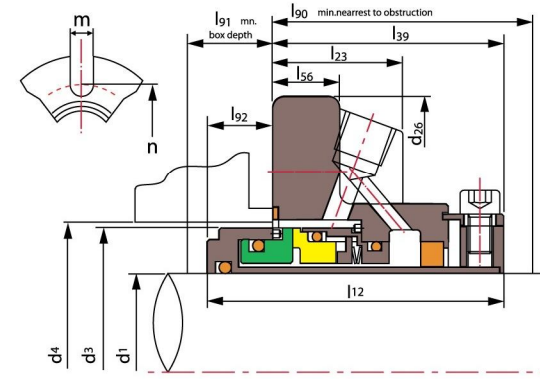
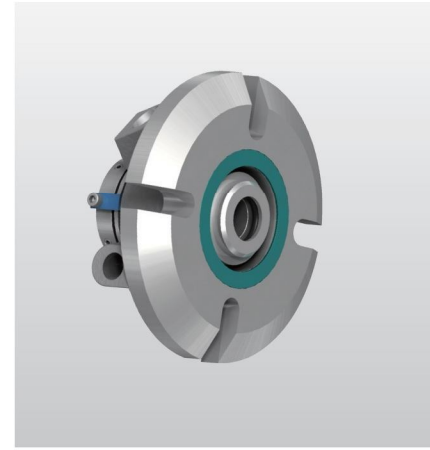
### TSSC-J01

#### Operating Limits

Pressure: <2.1MPa (shaft diameter ≤ 75mm)  
 <1.3MPa (shaft diameter > 75mm)  
 Speed: ≤ 25m/s  
 Temperature: -30°C ~ +205°C

- Rotary Ring (SiC/TC)
- Stationary Ring (SiC/Carbon)
- Secondary Seal (VITON/Encapsulated Ring/PTFE)
- Other Parts (SUS304/SUS316/Titanium/Hastelloy-C)

d <sub>1</sub> (mm)	d <sub>2</sub>	d <sub>4</sub>		d <sub>26</sub>	l <sub>12</sub>	l <sub>23</sub>	l <sub>39</sub>	l <sub>56</sub>	l <sub>90</sub>	l <sub>91</sub>	l <sub>92</sub>	m	n
		min	max										
25	34.9	36.7	48.0	101.6	50.5	34.4	49.6	13.5	50.8	4.0	0.9	13.3	71.2
28	38.1	\	51.2	104.8	52.4	36.7	52.4	13.5	54.0	3.2	\	13.3	74.5
30	40.0	\	56.5	108.0	52.4	36.7	52.4	13.5	54.0	3.2	\	13.3	79.9
32	41.3	\	58.3	108.0	52.4	36.7	52.4	13.5	54.0	3.2	\	13.3	81.6
33	44.5	\	61.5	111.1	52.4	36.7	52.4	13.5	54.0	3.2	\	13.3	84.8
35	44.5	\	61.5	111.1	52.4	36.7	52.4	13.5	54.0	3.2	\	13.3	84.8
38	49.2	51.0	68.1	123.8	54.8	37.8	54.0	15.1	55.5	4.0	0.8	13.3	91.4
40	52.4	54.2	71.4	127.0	54.8	37.8	54.0	15.1	55.5	4.0	0.8	14.3	95.7
43	55.1	56.9	74.1	133.4	54.8	37.8	54.0	15.1	55.5	4.0	0.8	14.3	98.4
45	55.1	56.9	74.1	133.4	54.8	37.8	54.0	15.1	55.5	4.0	0.8	14.3	98.4
48	58.7	60.5	74.1	133.4	54.8	37.8	54.0	15.1	55.5	4.0	0.8	14.3	98.4
50	61.9	63.7	76.6	139.7	60.3	40.7	58.7	27.0	60.3	4.7	1.6	14.3	101.6
53	65.1	66.9	85.3	148.8	60.3	40.7	58.7	15.1	60.3	4.7	1.6	17.4	113.5
55	66.7	75.0	85.3	148.8	60.3	40.7	58.7	15.1	60.3	4.7	1.6	17.4	113.5
58	68.2	70.0	88.5	165.1	60.3	40.7	58.7	15.1	60.3	4.7	1.6	17.4	116.0
60	71.4	73.2	91.7	165.1	63.1	43.6	62.6	15.9	64.2	3.6	1.6	17.4	119.9
63	77.8	\	98.8	171.5	63.1	43.6	65.1	15.9	66.7	3.2	0.5	17.4	127.0
65	77.8	\	98.8	171.5	63.1	43.6	65.1	15.9	66.7	3.2	\	17.4	127.0
68	84.1	\	103.2	171.5	63.5	41.3	63.5	15.9	65.1	3.2	\	17.4	131.3
70	84.1	\	103.2	171.5	63.5	41.3	63.5	15.9	65.1	3.2	\	17.4	131.3
75	92.1	\	113.5	196.9	63.5	45.4	65.1	17.4	66.7	3.2	1.36	20.6	145.3
80	95.3	97.9	116.8	196.9	65.1	40.5	63.8	\	66.9	4.5	\	20.6	148.4
85	101.6	104.8	123.2	206.4	65.1	40.5	65.1	\	68.3	3.2	\	20.1	154.8
90	107.1	110.3	129.5	212.7	65.1	40.5	65.1	\	68.3	3.2	\	17.4	158.8
95	110.3	113.5	132.1	222.3	65.1	40.5	65.1	\	68.3	3.2	\	17.4	172.0
100	116.7	119.8	139.7	228.6	65.1	40.5	65.1	\	68.3	3.2	\	20.6	171.7
105	119.8	123.0	142.9	228.6	65.1	40.5	65.1	\	68.3	3.2	\	20.6	174.9
110	129.4	132.5	152.4	241.3	65.1	40.5	65.1	\	68.3	3.2	\	20.6	184.4
115	129.4	132.5	152.4	241.3	65.1	40.5	65.1	\	68.3	3.2	\	20.6	184.4
120	135.7	138.9	160.4	263.5	65.1	40.5	65.1	\	68.3	3.2	\	20.6	192.4
125	148.4	151.6	184.4	304.8	75.0	44.4	77.3	\	80.5	3.2	\	20.6	254.0
130	154.8	157.9	190.8	311.2	75.0	44.4	77.3	\	80.5	3.2	\	20.6	260.4
135	161.1	164.3	203.2	322.3	75.0	44.4	77.3	\	80.5	3.2	\	23.8	266.7
140	161.1	164.3	203.2	322.3	75.0	44.4	77.3	\	80.5	3.2	\	23.8	266.7



### TSSC-J02

#### Operating Limits

Pressure: <2.1MPa (shaft diameter ≤ 75mm)  
 <1.3MPa (shaft diameter > 75mm)  
 Speed: ≤ 25m/s  
 Temperature: -30°C ~ +205°C

- Rotary Ring (SiC/TC)
- Stationary Ring (SiC/Carbon)
- Secondary Seal (VITON/Encapsulated Ring/PTFE)
- Other Parts (SUS304/SUS316/Titanium/Hastelloy-C)

d <sub>1</sub> (mm)	d <sub>3</sub>	d <sub>4</sub>		d <sub>26</sub>	l <sub>12</sub>	l <sub>23</sub>	l <sub>39</sub>	l <sub>56</sub>	l <sub>90</sub>	l <sub>91</sub>	l <sub>92</sub>	m	n
		min	max										
24	39.7	41.3	48.0	101.6	65.4	34.4	49.6	13.5	50.8	18.9	15.8	13.3	71.2
25	39.7	41.3	48.0	101.6	65.4	34.4	49.6	13.5	50.8	18.9	15.8	13.3	71.2
28	42.9	44.5	51.2	104.8	67.3	36.7	52.4	13.5	54.0	18.1	15.0	13.3	74.5
30	44.5	46.1	56.5	108.0	65.1	36.7	52.4	13.5	54.0	15.9	12.7	13.3	79.9
32	46.0	47.6	58.3	108.0	69.3	36.7	52.4	13.5	54.0	20.1	16.9	13.3	81.6
33	49.3	50.8	61.5	111.1	69.3	36.7	52.4	13.5	54.0	20.1	16.9	13.3	84.8
35	49.3	50.8	61.5	111.1	69.3	36.7	52.4	13.5	54.0	20.1	16.9	13.3	84.8
38	55.5	57.2	68.1	123.8	69.7	37.8	54.0	15.1	55.5	18.9	15.7	13.3	91.4
40	58.7	60.3	71.4	127.0	69.7	37.8	54.0	15.1	55.5	18.9	15.7	14.3	95.7
43	61.1	63.0	74.1	133.4	69.7	37.8	54.0	15.1	55.5	18.9	15.7	14.3	98.4
45	61.1	63.0	74.1	133.4	69.7	37.8	54.0	15.1	55.5	18.9	15.7	14.3	98.4
48	64.7	66.7	74.1	133.4	69.7	37.8	54.0	15.1	55.5	18.9	15.7	14.3	98.4
50	67.9	70.0	76.6	139.7	75.3	40.7	58.7	27.0	60.3	19.7	16.5	14.3	101.6
53	71.1	73.0	85.3	148.8	75.3	40.7	58.7	15.1	60.3	19.7	16.5	17.4	113.5
55	72.9	75.0	85.3	148.8	75.3	40.7	58.7	15.1	60.3	19.7	16.5	17.4	113.5
58	74.2	76.2	88.5	165.1	75.3	40.7	58.7	15.1	60.3	19.7	16.5	17.4	116.0
60	77.4	79.4	91.7	165.1	77.8	43.6	62.6	15.9	64.2	18.3	15.2	17.4	119.9
63	83.8	85.7	98.8	171.5	75.7	43.6	65.1	15.9	66.7	13.8	10.6	17.4	127.0
65	83.8	85.7	98.8	171.5	75.7	43.6	65.1	15.9	66.7	13.8	10.6	17.4	127.0
68	90.2	92.1	103.2	171.5	78.4	41.3	63.5	15.9	65.1	18.1	14.9	17.4	131.3
70	90.2	92.1	103.2	171.5	78.4	41.3	63.5	15.9	65.1	18.1	14.9	20.6	131.3
75	98.1	99.9	113.5	196.9	78.4	45.4	65.1	17.4	66.7	16.5	13.4	20.6	145.3
80	102.2	104.8	116.8	189.0	80.2	40.5	63.8	\	66.9	18.0	14.8	20.6	148.4
85	107.9	111.1	123.2	206.4	80.2	40.5	65.1	\	68.3	18.3	15.1	17.4	154.8
90	114.3	117.5	129.5	212.7	80.2	40.5	65.1	\	68.3	18.3	15.1	17.4	158.8
95	117.5	120.0	132.1	222.3	80.2	40.5	65.1	\	68.3	18.3	15.1	20.6	172.0
100	123.8	127.0	139.7	228.6	80.2	40.5	65.1	\	68.3	18.3	15.1	20.6	171.7
105	127.0	130.2	142.9	228.6	80.2	40.5	65.1	\	68.3	18.3	15.1	20.6	174.9
110	136.5	139.7	152.4	241.3	80.2	40.5	65.1	\	68.3	18.3	15.1	20.6	184.4
115	136.5	139.7	152.4	241.3	80.2	40.5	65.1	\	68.3	18.3	15.1	20.6	184.4
120	142.9	146.1	160.4	263.5	80.2	40.5	65.1	\	68.3	18.3	15.1	20.6	192.4
125	155.6	158.8	184.4	304.8	91.7	91.4	77.3	\	80.5	17.6	14.4	20.6	254.0
130	161.9	165.1	190.8	311.2	91.7	91.4	77.3	\	80.5	17.6	14.4	20.6	260.4
135	168.3	171.5	203.2	322.3	91.7	91.4	77.3	\	80.5	17.6	14.4	23.8	266.7
140	168.3	171.5	203.2	322.3	91.7	91.4	77.3	\	80.5	17.6	14.4	23.8	266.7

