

TSSC-FS06

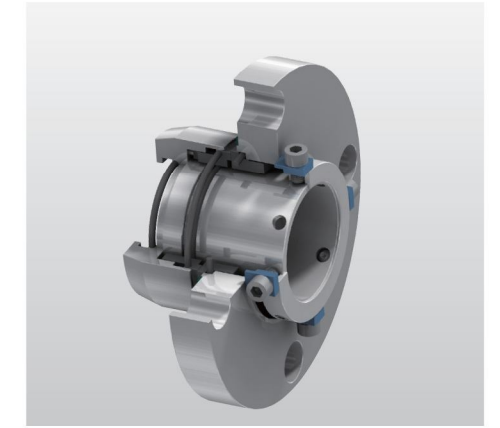
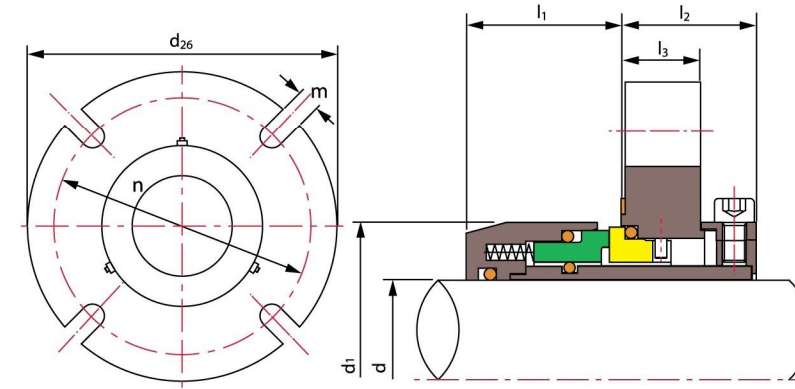
Operating Limits

Pressure: ≤6.9MPa
 Speed: ≤23m/s
 Temperature: -40°C ~+204°C

- Rotary Ring(SiC/Carbon/TC)
- Stationary Ring(SiC/Carbon)
- Secondary Seal(VITON/Encapsulated Ring/PTFE)
- Other Parts(SUS304/SUS316/Titanium/Hastelloy-C)

d ₁ (inches)	d	l ₁	l ₂	d ₁ (inches)	d	l ₁	l ₂	d ₁ (inches)	d	l ₁	l ₂
1.938	0.878	2.688	1.938	3.125	1.816	3.188	2.656	4.688	3.128	4.125	3.188
2.000	0.941	2.688	2.125	3.438	1.878	4.000	2.719	4.938	3.253	4.375	3.188
2.125	1.003	2.750	2.125	3.500	2.003	4.125	2.719	5.188	3.316	4.500	3.188
2.125	1.034	2.688	2.063	3.563	2.066	3.563	2.719	5.125	3.503	4.250	3.188
2.250	1.128	2.750	2.125	3.750	2.191	4.188	2.719	5.469	3.753	4.438	3.188
2.500	1.191	3.500	2.500	3.875	2.378	4.125	2.844	5.563	3.753	4.313	3.188
2.625	1.316	3.063	2.375	4.250	2.503	4.188	3.000	5.750	4.003	4.375	3.250
2.688	1.441	3.063	2.469	4.313	2.628	4.188	3.125	6.125	4.316	4.563	3.188
3.000	1.503	4.000	2.719	4.313	2.753	4.125	3.125	6.500	4.566	5.063	3.313
2.938	1.566	3.313	2.656	4.625	2.878	4.250	3.250	6.938	4.941	5.063	3.563
3.125	1.628	3.875	2.719	4.688	3.003	4.063	3.188	7.750	5.441	5.313	4.188

d ₁ (mm)	d	l ₁	l ₂	d ₁ (mm)	d	l ₁	l ₂	d ₁ (mm)	d	l ₁	l ₂
49.2	22.3	68.3	49.2	79.4	46.1	81.0	67.5	119.1	79.5	104.8	81.0
50.8	23.9	68.3	54.0	87.3	47.7	101.6	69.1	125.4	82.6	111.1	81.0
54.0	25.5	69.9	54.0	88.9	50.9	104.8	69.1	135.0	84.2	114.3	81.0
54.0	26.3	68.3	52.4	90.5	52.5	90.5	69.1	130.2	89.0	108.0	81.0
57.2	28.7	69.9	54.0	95.3	55.7	106.4	69.1	138.9	95.3	112.7	81.0
63.5	30.3	88.9	63.5	98.4	60.4	104.8	72.2	141.3	95.3	109.6	81.0
66.7	33.4	77.8	60.3	108.0	63.6	106.4	76.2	146.1	101.7	111.1	82.6
68.3	36.6	77.8	62.7	109.6	66.8	106.4	79.4	155.6	109.6	115.9	81.0
76.2	38.2	101.6	69.1	109.6	69.9	104.8	79.4	165.1	116.0	128.6	84.2
74.6	39.8	84.2	75.4	117.5	73.1	108.0	82.6	176.2	125.5	128.6	90.5
79.4	41.4	98.4	69.1	119.1	76.3	103.2	81.0	196.9	138.2	135.0	106.4



TSSC-C04

Operating Limits

Pressure: ≤2MPa
 Speed: ≤25m/s
 Temperature: ≤+260°C

- Rotary Ring(SiC/Carbon/TC)
- Stationary Ring(SiC/TC)
- Secondary Seal(VITON/Encapsulated Ring/PTFE)
- Other Parts(SUS304/SUS316/Titanium/Hastelloy-C)

d (mm)	d ₂₆	d ₁	l ₁	l ₂	n			m	l ₃
	max				10mm	12mm	16mm		
35	118	60	39	34	95	\	\	12	20
38	137	95	39	34	114	\	\	12	20
40	128	70	39	34	105	\	\	12	20
45	128	70	39	34	105	\	\	12	20
48	147	105	39	34	124	\	\	12	20
50	150	85	39	34	\	125	\	18	20
50	150	85	39	34	\	\	145	18	20
55	150	85	39	34	\	125	\	14	20
60	160	95	39	34	\	135	145	18	20
60	160	95	39	34	\	\	\	18	20
65	160	102	50	46	\	135	\	14	26
65	173	131	50	46	150	\	\	12	26
70	200	117	50	46	\	\	175	18	26
75	183	140	50	46	160	\	\	12	26
80	199	122	50	46	\	\	170	18	26
85	199	122	50	46	\	\	170	18	26
85	199	132	50	46	\	\	190	18	26
90	209	132	50	46	\	\	180	18	26
95	209	132	50	46	\	\	180	18	26
100	213	171	50	46	190	\	\	12	26