

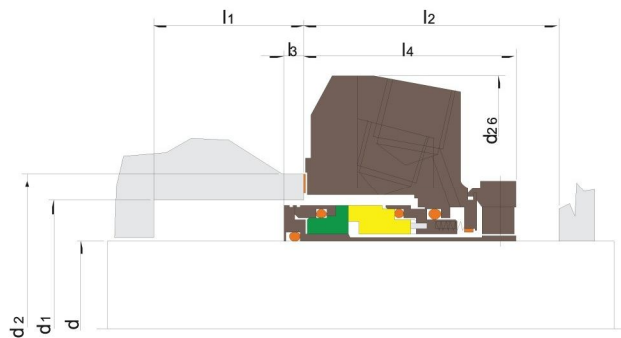
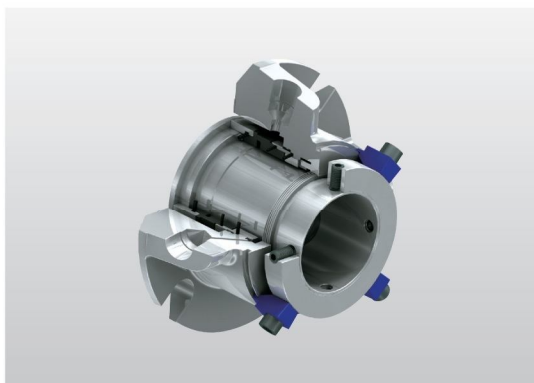
d (inches)	d ₁		d ₂	d ₂₆	l ₄	l ₂	l ₃	l ₁
	min	max						
1.000	1.625	1.875	2.115	3.69~3.75	1.913	1.975	0.962	1.024
1.125	1.750	2.000	2.240	3.69~3.75	1.913	1.975	\	\
1.250	1.890	2.245	2.495	4.19~4.25	1.913	1.975	\	\
1.375	2.000	2.375	2.615	3.94~4.00	1.913	1.975	1.127	1.189
1.437	2.250	2.688	2.775	4.72~4.78	1.973	2.035	\	\
1.500	2.250	2.525	2.775	4.69~4.75	1.973	2.035	\	\
1.625	2.375	2.780	3.030	4.69~4.75	1.973	2.035	\	\
1.750	2.500	2.875	3.150	4.94~5.00	1.973	2.035	1.152	1.214
1.875	2.625	2.875	3.150	4.94~5.00	1.973	2.035	1.153	1.214
1.937	2.690	2.920	\	\	1.973	2.035	\	\
2.000	2.750	3.030	3.280	5.00~5.12	1.973	2.035	\	\
2.125	2.875	3.125	3.430	5.94~6.00	1.973	2.035	1.092	1.154
2.250	3.000	3.280	\	\	1.973	2.035	\	\
2.375	3.125	3.687	3.975	6.32~6.38	1.973	2.035	1.287	1.349
2.437	3.375	3.450	\	6.32~6.38	1.942	2.004	\	\
2.500	3.375	3.687	3.975	6.32~6.38	1.973	2.035	1.287	1.349
2.625	3.625	4.312	4.615	7.19~7.25	2.726	2.788	1.129	1.191
2.750	3.750	4.312	4.615	7.19~7.25	2.726	2.788	1.129	1.191

TSSC-FS02

Operating Limits

Pressure: ≤2MPa
 Speed: ≤23m/s
 Temperature: -40°C ~+220°C

- Rotary Ring(SiC/Carbon/TC)
- Stationary Ring(SiC/TC)
- Secondary Seal(VITON/Encapsulated Ring/PTFE)
- Other Parts(SUS304/SUS316/Titanium/Hastelloy-C)



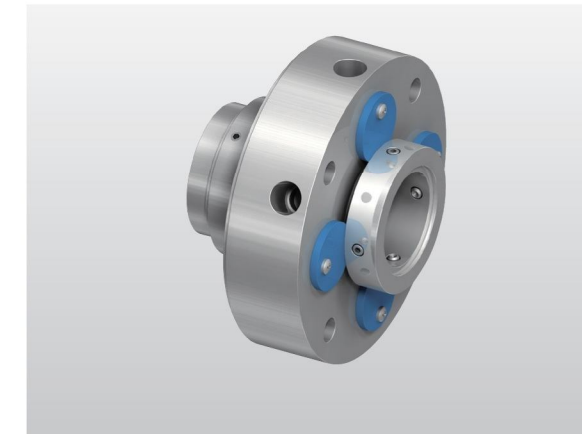
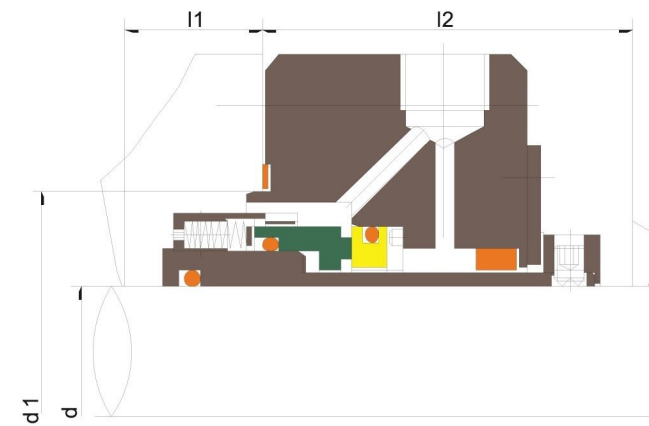
d (inches)	d ₁		d ₂	d ₂₆	l ₄	l ₂	l ₃	l ₁
	min	max						
1.000	1.625	1.875	2.115	3.69~3.75	1.913	1.975	0.212	0.274
1.125	1.750	2.000	2.240	3.69~3.75	1.913	1.975	0.212	0.274
1.250	1.890	2.245	2.495	4.19~4.25	1.913	1.975	0.212	0.274
1.375	2.000	2.375	2.615	3.94~4.00	1.913	1.975	0.212	0.264
1.437	2.250	2.688	2.775	4.72~4.78	1.973	2.035	0.222	0.284
1.500	2.250	2.525	2.775	4.69~4.75	1.973	2.035	0.202	0.264
1.625	2.375	2.780	3.030	4.69~4.75	1.973	2.035	0.202	0.264
1.750	2.500	2.875	3.150	4.94~5.00	1.973	2.035	0.202	0.264
1.875	2.625	2.875	3.150	4.94~5.00	1.973	2.035	0.202	0.264
1.937	2.690	2.920	\	\	1.973	2.035	0.207	0.269
2.000	2.750	3.030	3.280	5.00~5.12	1.973	2.035	0.202	0.264
2.125	2.875	3.125	3.430	5.94~6.00	1.973	2.035	0.202	0.264
2.250	3.000	3.280	\	\	1.973	2.035	0.206	0.268
2.375	3.125	3.687	3.975	6.32~6.38	1.973	2.035	0.202	0.264
2.437	3.375	3.450	\	6.32~6.38	1.942	2.004	0.233	0.295
2.500	3.375	3.687	3.975	6.32~6.38	1.973	2.035	0.202	0.264
2.625	3.625	4.312	4.615	7.19~7.25	2.726	2.788	0.204	0.266
2.750	3.750	4.312	4.615	7.19~7.25	2.726	2.788	0.204	0.266

TSSC-FS03

Operating Limits

Pressure: ≤2MPa
 Speed: ≤23m/s
 Temperature: -40°C ~+220°C

- Rotary Ring(SiC/TC)
- Stationary Ring(SiC/Carbon)
- Secondary Seal(VITON/Encapsulated Ring/PTFE)
- Other Parts(SUS304/SUS316/Titanium/Hastelloy-C)



TSSC-FS05

Operating Limits

Pressure: ≤5.17MPa
 Speed: ≤23m/s
 Temperature: -40°C ~+204°C

- Rotary Ring(SiC/Carbon/TC)
- Stationary Ring(SiC/TC)
- Secondary Seal(VITON/Encapsulated Ring/PTFE)
- Other Parts(SUS304/SUS316/Titanium/Hastelloy-C)

d ₁	d	l ₁	l ₂
min	max	min	min
1.718	0.500	1.406	2.031
1.750	0.563	1.406	2.031
1.843	0.625	1.406	2.031
1.968	0.750	1.468	2.031
2.093	0.813	1.437	2.063
2.218	0.875	1.437	2.063
2.343	1.000	1.437	2.219
2.593	1.125	1.781	2.219
2.718	1.250	1.781	2.219
2.843	1.375	1.781	2.375
2.968	1.500	1.937	2.500
3.156	1.625	2.000	2.500
3.281	1.750	2.000	2.500
3.406	1.875	1.968	2.594

d ₁	d	l ₁	l ₂
min	max	min	min
3.531	2.000	1.968	2.594
3.843	2.125	2.250	2.625
3.968	2.250	2.250	2.625
4.093	2.375	2.250	2.625
4.218	2.500	2.250	2.781
4.343	2.625	2.250	2.781
4.468	2.750	2.250	2.781
4.593	2.875	2.250	2.906
4.687	3.000	2.156	3.000
4.843	3.125	2.156	3.000
4.968	3.250	2.125	3.031
5.062	3.375	2.215	3.031
5.187	3.500	2.125	3.031
5.562	3.625	2.218	3.188

d ₁	d	l ₁	l ₂
min	max	min	min
5.687	3.750	2.218	3.188
5.812	3.875	2.218	3.219
5.937	4.000	2.218	3.219
6.062	4.125	2.125	3.313
6.187	4.250	2.125	3.313
6.312	4.375	2.125	3.313
6.437	4.500	2.125	3.313
6.562	4.625	2.125	3.313
6.937	4.750	2.312	3.313
7.062	4.875	2.312	3.313
7.312	5.125	2.312	3.313
7.437	5.250	2.312	3.313
7.562	5.375	2.437	3.563
7.687	5.500	2.437	3.563