

TSQS (QUENCH SYSTEM)

TSQS-032

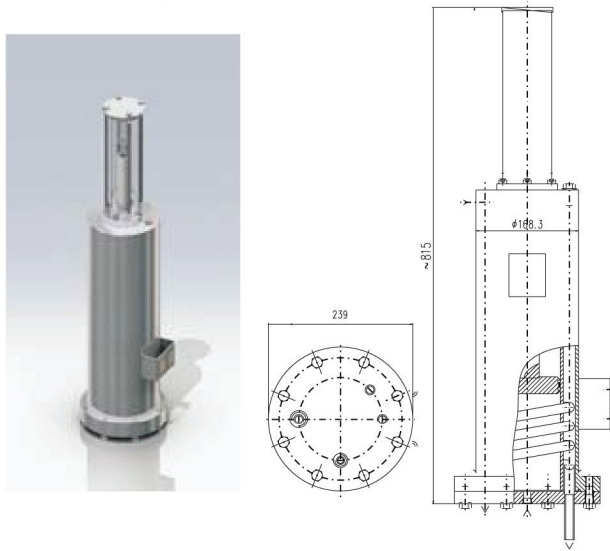
Operating Limits
 Capacity: 3.2L
 Pressure: Pressureless
 Working Temperature: -30°C~200°C
 Material: Stainless steel
 Operating plans: API 51 or pressureless API 52



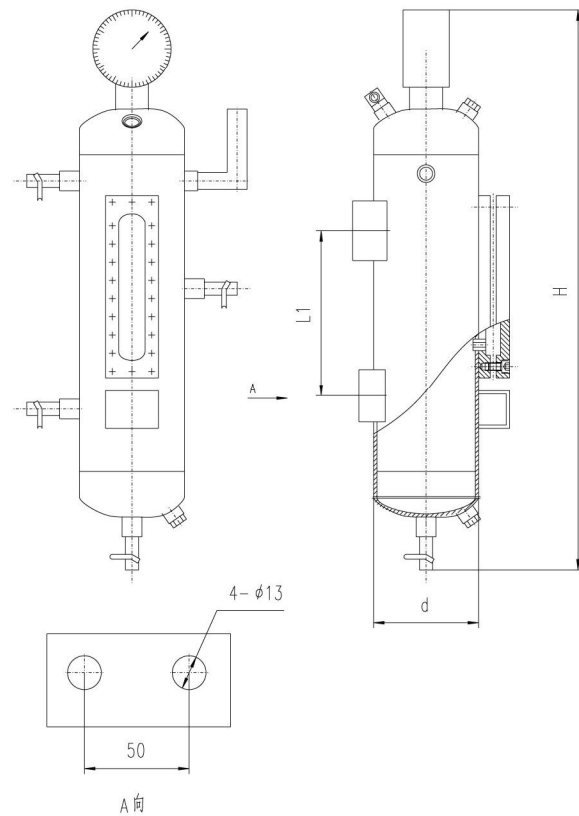
TSPB(PRESSURE BOOSTER)

Operating Limits

Capacity: 4L
 Pressure: Inlet 5.7MPa, Outlet 6.5MPa
 Working Temperature: -60°C—200°C
 Cooling coil capacity: 0.3m2
 Transmission ratio: 1:1.1
 Material: Stainless steel
 Operating plans: API 53C.



TSTS (THERMOSIPHON SYSTEM)



TSTS L1.4-25B/TSTSL1.6-25B
 Operating Limits
 Capacity: 4L/6L
 Pressure: 2.5MPa
 Working Temperature: -60°C—200°C
 Material: Stainless steel

Operating plans:API 52, API 53, API 53A

Model	Volume(L)	d	L1	H	Nozzle
TSL1.4-2.5B	4	133	175	470	G3/8
TSL1.4-2.5B	6	159	260	690	G1/2

TSCP(CIRCULATING PUMP)

Operating Limits

Pressure: 1—4MPa
 Working Temperature: -30°C—80°C
 Power: 75W/180W
 Material: Stainless steel
 Operating plans: API 52, API 53, API 53A, API 54



TSMRP(MANUAL REFILL PUMP)

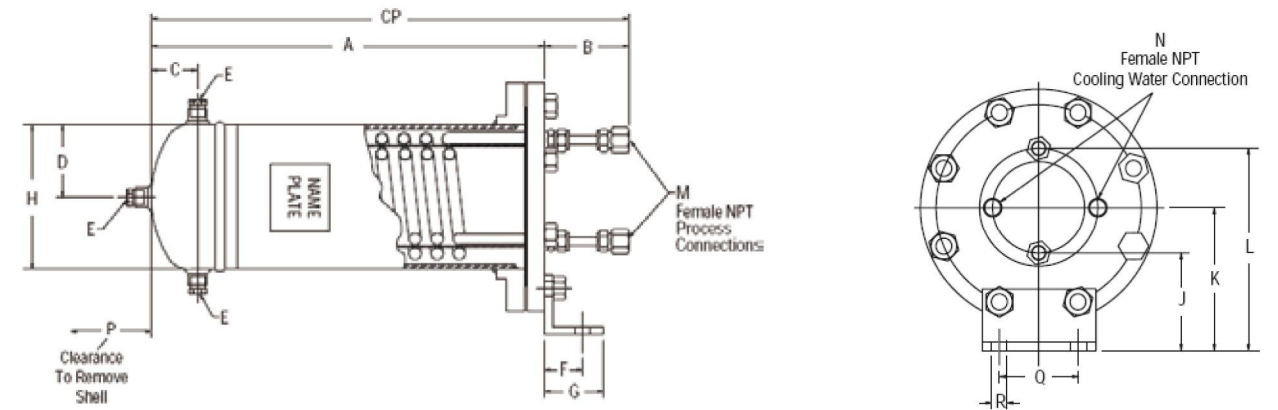
Operating Limits

Capacity: 2L
 Pressure: 3MPa
 Working Temperature: -30°C—110°C
 Displaced Volume: 15ml/Stroke
 Material: Stainless steel



Operating plans:
 API53, API53A,
 API53C, API54.

TSTS (THERMOSIPHON SYSTEM)



Operating plans:API 52, API 53, API 53A, API 54.

Dimensions (Inch)	A	CP	B	C	D	E(NPT)	F	G	H	J	K	L	M (NPT)	N (NPT)	P
TSHE-0500-SCS	13 1/16	18 1/16	5	1 7/8	2 13/16	1/2	1 3/4	3	5 9/16	43/8	61/8	8 1/4	1/2	1/2	12
TSHE-0625-SCS	16 5/8	21 5/8	5	2 1/4	3 5/16	1/2	1 3/4	3	6 5/8	47/8	65/8	9 1/8	1/2	3/4	15 5/8
TSHE-0682-SCS	23 3/8	28 3/8	5	2 3/4	4 5/16	1/2	2 1/4	3 1/2	8 5/8	51/2	81/8	11 1/2	3/4	1	22 1/8
TSHE-0750-SCS	23 3/8	28 3/8	5	2 3/4	4 5/16	1/2	2 1/4	3 1/2	8 5/8	51/2	81/8	11 1/2	3/4	1	22 1/8

Dimensions (Inch)	A	CP	B	C	D	E(NPT)	F	G	H	J	K	L	M (NPT)	N (NPT)	P
TSHE-0500-SCS	332	459	127	48	71	1/2	44	76	141	111	156	210	1/2	1/2	305
TSHE-0625-SCS	422	549	127	57	84	1/2	44	76	168	124	168	232	3/4	3/4	397
TSHE-0682-SCS	594	721	127	70	110	1/2	57	89	219	140	206	292	3/4	1	562
TSHE-0750-SCS	594	721	127	70	110	1/2	57	89	219	140	206	292	3/4	1	562