

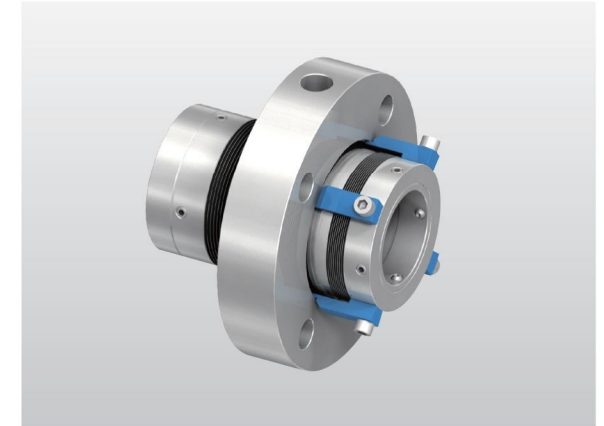
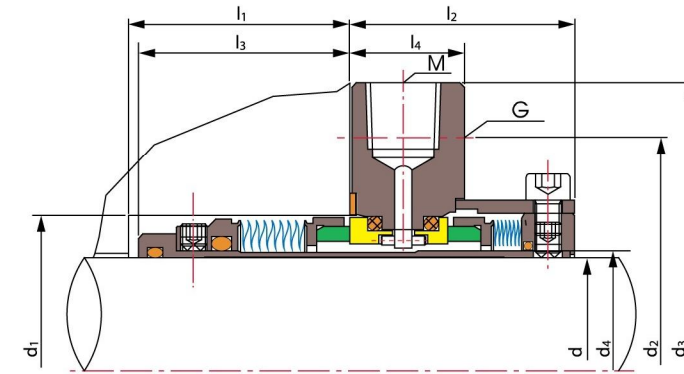
TSMB-FS06

Operating Limits

Pressure: ≤2MPa
 Speed: ≤25m/s
 Temperature: -30°C ~+204°C

- Rotary Ring(SiC/Carbon/TC)
- Stationary Ring(SiC/TC)
- Secondary Seal(VITON/Encapsulated Ring/PTFE)
- Metal Bellows(SUS316L/AM350/Inconel718 /Titanium/Hastelloy-C/Alloy-20)
- Other Parts(SUS304/SUS316/Titanium/Hastelloy-C)

d (inches)	d ₁		l ₁ min	l ₃	l ₂	l ₄	G		d ₂ min	d ₃	M
	min	max					max	min			
1.000	1.750	1.875	1.780	1.690	2.000	1.020	0.375	2.750	3.750	3/8	
1.125	1.750	2.000	1.780	1.690	2.000	1.020	0.500	3.000	3.880	3/8	
1.250	2.000	2.125	1.970	1.880	2.000	1.020	0.500	3.120	4.250	3/8	
1.375	2.000	2.250	1.970	1.880	2.000	1.020	0.375	3.250	4.250	3/8	
1.500	2.250	2.500	1.970	1.880	2.000	1.020	0.375	3.750	4.750	3/8	
1.625	2.375	2.625	1.970	1.880	2.000	1.020	0.500	3.750	4.750	3/8	
1.750	2.500	2.750	1.970	1.880	2.000	1.020	0.500	3.750	5.000	3/8	
1.875	2.625	2.875	1.970	1.880	2.000	1.020	0.500	3.880	5.000	3/8	
2.000	2.750	3.000	1.970	1.880	2.000	1.020	0.625	4.120	5.120	3/8	
2.125	2.875	3.250	1.970	1.880	2.000	1.020	0.625	4.380	6.000	3/8	
2.250	3.000	3.375	1.970	1.880	2.000	1.020	0.625	4.620	6.500	3/8	
2.375	3.250	3.625	2.160	2.060	2.090	1.110	0.625	5.000	6.380	3/8	
2.500	3.375	3.750	2.160	2.060	2.090	1.110	0.625	5.000	6.620	3/8	
2.625	3.500	3.875	2.160	2.060	2.090	1.110	0.750	5.750	7.250	3/8	
2.750	3.750	\	2.160	2.060	2.620	1.580	As Required			3/4	
2.750	3.875	\	2.160	2.060	2.620	1.580				3/4	
2.875	3.875	\	2.160	2.060	2.620	1.580				3/4	
2.875	4.000	\	2.160	2.060	2.620	1.580				3/4	
3.000	4.000	\	2.160	2.060	2.620	1.580				3/4	
3.000	4.125	\	2.160	2.060	2.620	1.580				3/4	
3.125	4.250	\	2.160	2.060	2.620	1.580				3/4	
3.250	4.375	\	2.190	2.190	2.750	1.710				3/4	
3.375	4.500	\	2.190	2.190	2.750	1.710				3/4	
3.500	4.625	\	2.190	2.190	2.750	1.710				3/4	
3.625	4.750	\	2.190	2.190	2.750	1.710				3/4	
3.750	4.875	\	2.190	2.190	2.750	1.710				3/4	
3.875	5.000	\	2.190	2.190	2.750	1.710				3/4	



TSMB-FS07

Operating Limits

Pressure: ≤2MPa
 Speed: ≤25m/s
 Temperature: -30°C ~+204°C

- Rotary Ring(SiC/Carbon/TC)
- Stationary Ring(SiC/TC)
- Secondary Seal(VITON/Encapsulated Ring/PTFE)
- Metal Bellows(SUS316L/AM350/Inconel718 /Titanium/Hastelloy-C/Alloy-20)
- Other Parts(SUS304/SUS316/Titanium/Hastelloy-C)

d ₄ (inches)	d	d ₁		l ₁ min	l ₃	l ₂	l ₄	G		d ₂ min	d ₃	M
		min	max					max	min			
1.125	1.000	1.750	1.875	1.780	1.690	2.000	1.020	0.375	2.750	3.750	3/8	
*1.250	1.125	1.750	2.000	1.780	1.690	2.000	1.020	0.500	3.000	3.880	3/8	
1.375	1.250	2.000	2.125	1.970	1.880	2.000	1.020	0.500	3.120	4.250	3/8	
*1.500	1.375	2.000	2.250	1.970	1.880	2.000	1.020	0.375	3.250	4.250	3/8	
1.625	1.500	2.250	2.500	1.970	1.880	2.000	1.020	0.375	3.750	4.750	3/8	
1.750	1.625	2.375	2.625	1.970	1.880	2.000	1.020	0.500	3.750	4.750	3/8	
1.875	1.750	2.500	2.750	1.970	1.880	2.000	1.020	0.500	3.750	5.000	3/8	
2.000	1.875	2.625	2.875	1.970	1.880	2.000	1.020	0.500	3.880	5.000	3/8	
2.125	2.000	2.750	3.000	1.970	1.880	2.000	1.020	0.625	4.120	5.120	3/8	
2.250	2.125	2.875	3.250	1.970	1.880	2.000	1.020	0.625	4.380	6.000	3/8	
2.375	2.250	3.000	3.375	1.970	1.880	2.000	1.020	0.625	4.620	6.500	3/8	
2.500	2.375	3.250	3.625	2.160	2.060	2.090	1.110	0.625	5.000	6.380	3/8	
2.625	2.500	3.375	3.750	2.160	2.060	2.090	1.110	0.625	5.000	6.620	3/8	
2.750	2.625	3.500	3.875	2.160	2.060	2.090	1.110	0.750	5.750	7.250	3/8	
2.875	2.750	3.750	\	2.160	2.060	2.620	1.580	As Required			3/4	
**3.000	2.750	3.875	\	2.160	2.060	2.620	1.580				3/4	
3.000	2.875	3.875	\	2.160	2.060	2.620	1.580				3/4	
**3.125	2.875	4.000	\	2.160	2.060	2.620	1.580				3/4	
3.125	3.000	4.000	\	2.160	2.060	2.620	1.580				3/4	
**3.250	3.000	4.125	\	2.160	2.060	2.620	1.580				3/4	
3.375	3.125	4.250	\	2.160	2.060	2.620	1.580				3/4	
3.500	3.250	4.375	\	2.280	2.190	2.750	1.710				3/4	
3.625	3.375	4.500	\	2.280	2.190	2.750	1.710				3/4	
3.750	3.500	4.625	\	2.280	2.190	2.750	1.710				3/4	
3.875	3.625	4.750	\	2.280	2.190	2.750	1.710				3/4	
4.000	3.750	4.875	\	2.280	2.190	2.750	1.710				3/4	
4.125	3.875	5.000	\	2.280	2.190	2.750	1.710				3/4	