

TSMB-C02

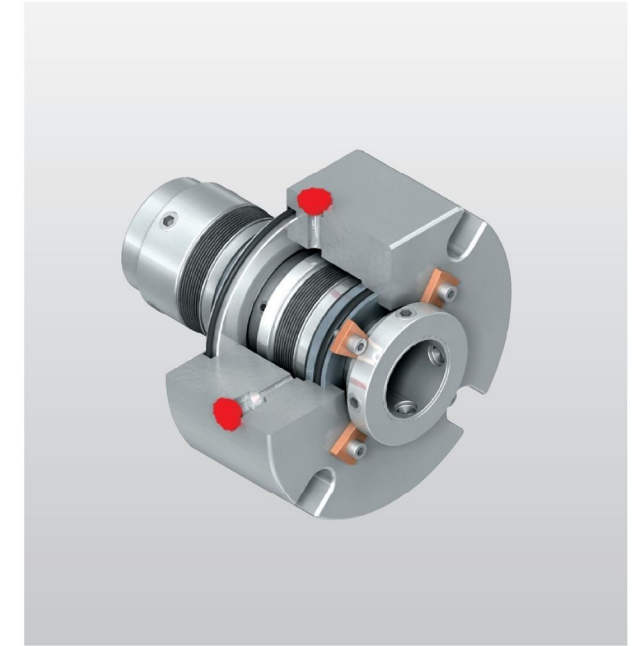
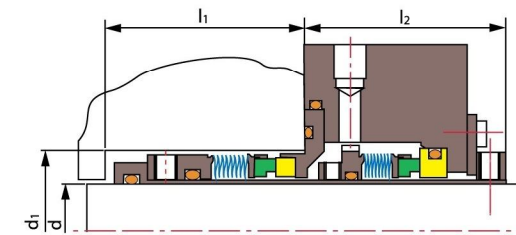
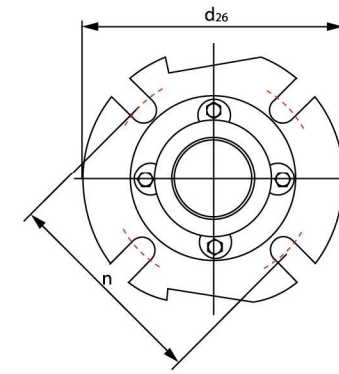
Operating Limits

Pressure: ≤2MPa
 Speed: ≤20m/s
 Temperature: -73°C ~+427°C

- Rotary Ring(SiC/Carbon/TC)
- Stationary Ring(SiC/TC)
- Secondary Seal(Flexible Carbon)
- Metal Bellows(SUS316L/AM350/Inconel718/Titanium/Hastelloy-C/Alloy-20)
- Other Parts(SUS304/SUS316/Titanium/Hastelloy-C)

| d (inches) | d ₂₆ max | d ₂ min | d _{2a} min | d ₁ max | l ₁ min | l ₂ max | l _{2a} max | n | | | m max | l ₃ max | NPT |
|---------------|------------------------|-----------------------|------------------------|-----------------------|-----------------------|-----------------------|------------------------|-------|-------|-------|----------|-----------------------|-----|
| | | | | | | | | 3/8" | 1/2" | 5/8" | | | |
| 1.125 | 4.250 | 2.000 | 2.250 | 1.940 | 1.640 | 1.920 | 2.050 | 3.120 | 3.240 | \ | 0.500 | 1.260 | 3/8 |
| 1.125 | 4.250 | 1.880 | 2.130 | 0.810 | 1.580 | 1.920 | 2.050 | 2.870 | \ | \ | 0.440 | 1.260 | 3/8 |
| 1.250 | 4.500 | 2.250 | 2.380 | 2.170 | 1.680 | 1.920 | 2.050 | 3.190 | 3.310 | \ | 0.500 | 1.260 | 3/8 |
| 1.375 | 4.750 | 2.380 | 2.630 | 2.300 | 1.680 | 1.990 | 2.110 | 3.490 | 3.620 | \ | 0.560 | 1.320 | 3/8 |
| 1.375 | 4.250 | 2.130 | 2.380 | 2.060 | 1.640 | 1.920 | 2.050 | 3.240 | \ | \ | 0.440 | 1.260 | 3/8 |
| 1.500 | 5.250 | 2.500 | 2.750 | 2.420 | 1.680 | 1.990 | 2.110 | 3.620 | 3.740 | \ | 0.560 | 1.320 | 1/2 |
| 1.625 | 5.500 | 2.630 | 2.880 | 2.550 | 1.680 | 1.990 | 2.110 | 3.740 | 3.870 | \ | 0.560 | 1.320 | 1/2 |
| 1.750 | 5.750 | 2.750 | 3.000 | 2.670 | 1.680 | 1.990 | 2.110 | 3.870 | 3.990 | \ | 0.560 | 1.320 | 1/2 |
| 1.875 | 6.000 | 2.880 | 3.250 | 2.800 | 1.800 | 2.050 | 2.170 | 4.120 | 4.240 | \ | 0.560 | 1.380 | 1/2 |
| 2.000 | 6.250 | 3.000 | 3.380 | 2.920 | 1.800 | 2.050 | 2.170 | 4.240 | 4.370 | 4.490 | 0.690 | 1.380 | 1/2 |
| 2.125 | 6.250 | 3.130 | 3.500 | 3.050 | 1.800 | 2.050 | 2.170 | 4.370 | 4.490 | 4.620 | 0.690 | 1.380 | 1/2 |
| 2.250 | 6.500 | 3.250 | 3.630 | 3.190 | 1.800 | 2.050 | 2.170 | 4.490 | 4.620 | 4.740 | 0.690 | 1.380 | 1/2 |
| 2.375 | 6.500 | 3.380 | 3.630 | 3.310 | 1.800 | 2.110 | 2.240 | 4.490 | 4.620 | 4.740 | 0.690 | 1.450 | 1/2 |
| 2.500 | 6.500 | 3.500 | 3.750 | 3.440 | 1.800 | 2.110 | 2.240 | 4.620 | 4.740 | 4.870 | 0.690 | 1.450 | 1/2 |
| 2.625 | 6.750 | 3.750 | 4.000 | 3.630 | 1.830 | 2.110 | 2.240 | 4.870 | 4.990 | 5.120 | 0.690 | 1.450 | 1/2 |

| d (mm) | d ₂₆ max | d ₂ min | d _{2a} min | d ₁ max | l ₁ min | l ₂ max | l _{2a} max | n | | | m max | l ₃ max | NPT |
|-----------|------------------------|-----------------------|------------------------|-----------------------|-----------------------|-----------------------|------------------------|------|------|------|----------|-----------------------|-----|
| | | | | | | | | 10mm | 12mm | 16mm | | | |
| 25 | 108 | 48 | 54 | 46 | 42 | 49 | 52 | 76 | 78 | \ | 13 | 32 | 3/8 |
| 30 | 108 | 51 | 57 | 49 | 42 | 49 | 52 | 79 | 82 | \ | 13 | 32 | 3/8 |
| 32 | 114 | 57 | 60 | 55 | 43 | 49 | 52 | 81 | 99 | \ | 13 | 32 | 3/8 |
| 35 | 121 | 60 | 67 | 58 | 43 | 50 | 54 | 89 | 92 | \ | 14 | 34 | 3/8 |
| 38 | 133 | 64 | 70 | 61 | 43 | 50 | 54 | 92 | 95 | \ | 14 | 34 | 1/2 |
| 40 | 140 | 67 | 73 | 65 | 43 | 50 | 54 | 95 | 98 | \ | 14 | 34 | 1/2 |
| 42 | 140 | 67 | 73 | 65 | 43 | 50 | 54 | 95 | 98 | \ | 14 | 34 | 1/2 |
| 45 | 146 | 70 | 76 | 68 | 43 | 50 | 54 | 98 | 101 | \ | 14 | 34 | 1/2 |
| 50 | 159 | 76 | 80 | 74 | 46 | 52 | 55 | 108 | 111 | 114 | 18 | 35 | 1/2 |
| 55 | 159 | 79 | 89 | 77 | 46 | 52 | 55 | 111 | 114 | 117 | 18 | 35 | 1/2 |
| 60 | 165 | 86 | 92 | 84 | 46 | 54 | 57 | 114 | 117 | 120 | 18 | 37 | 1/2 |
| 65 | 165 | 89 | 95 | 87 | 46 | 54 | 57 | 117 | 120 | 123 | 18 | 37 | 1/2 |



TSMB-C03

Operating Limits

Pressure: ≤2MPa
 Speed: ≤20m/s
 Temperature: -30°C ~+204°C

- Rotary Ring(SiC/Carbon/TC)
- Stationary Ring(SiC/TC)
- Secondary Seal(VITON/Encapsulated Ring/PTFE)
- Metal Bellows(SUS316L/AM350/Inconel718/Titanium/Hastelloy-C/Alloy-20)
- Other Parts(SUS304/SUS316/Titanium/Hastelloy-C)

| d (inches) | d ₂₆ max | d ₁ | | l ₁ min | l ₂ | n | | |
|---------------|------------------------|----------------|-------|-----------------------|----------------|-------|-------|-------|
| | | min | max | | | 3/8" | 1/2" | 5/8" |
| 1.000 | 4.130 | 1.750 | 1.880 | 2.030 | 2.060 | 2.900 | \ | \ |
| 1.125 | 4.250 | 1.750 | 1.880 | 2.030 | 2.060 | 2.900 | \ | \ |
| 1.250 | 4.250 | 2.000 | 2.130 | 2.060 | 2.130 | 3.020 | \ | \ |
| 1.375 | 4.250 | 2.000 | 2.190 | 2.060 | 2.030 | 3.250 | \ | \ |
| 1.500 | 4.500 | 2.250 | 2.380 | 2.250 | 2.130 | 3.500 | 3.630 | \ |
| 1.625 | 5.000 | 2.380 | 2.500 | 2.210 | 2.130 | 3.560 | 3.690 | \ |
| 1.750 | 5.500 | 2.500 | 2.560 | 2.340 | 2.130 | 3.630 | 3.750 | \ |
| 1.875 | 5.500 | 2.630 | 2.690 | 2.340 | 2.130 | 3.750 | 3.880 | \ |
| 2.000 | 5.500 | 2.750 | 2.940 | 2.340 | 2.130 | 4.010 | 4.130 | \ |
| 2.125 | 6.000 | 3.000 | 3.190 | 2.400 | 2.130 | 4.250 | 4.380 | 4.500 |
| 2.250 | 6.250 | 3.130 | 3.190 | 2.400 | 2.130 | 4.250 | 4.380 | 4.500 |
| 2.375 | 6.250 | 3.250 | 3.440 | 2.310 | 2.250 | 4.380 | 4.500 | 4.630 |
| 2.500 | 6.500 | 3.380 | 3.440 | 2.410 | 2.190 | 4.560 | 4.810 | 4.810 |