

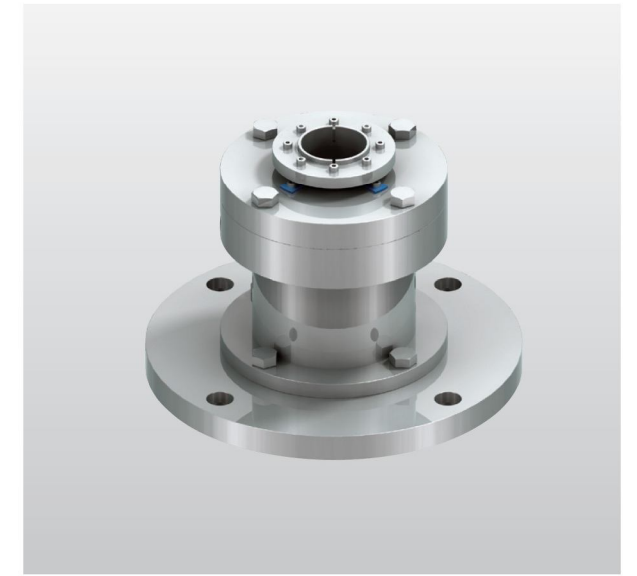
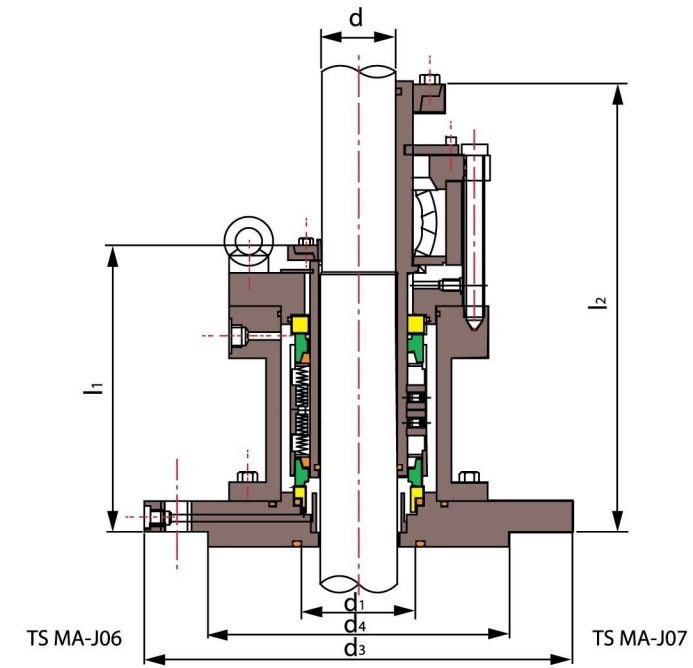
TSMA-J04 TSMA-J05

Operating Limits

Pressure: $\leq 0.6\text{MPa}$
 Speed: $\leq 1000\text{rpm}$
 Temperature: $-60^{\circ}\text{C} \sim +260^{\circ}\text{C}$

- Rotary Ring(SiC/Carbon/TC)
- Stationary Ring(SiC/Ceramic/TC)
- Secondary Seal(VITON/Encapsulated Ring/PTFE)
- Other Parts(SUS304/SUS316/Titanium/Hastelloy-C)

d (mm)	d ₁	d ₃	d ₄	l ₁	l ₂
40	91	175	110	115	165
50	107	240	176	115	175
60	120	240	176	125	195
80	149	275	204	140	215
100	174	305	234	140	230
125	199	330	260	160	255
140	218	395	313	170	275
160	237	395	313	170	275
180	263	445	364	190	300
200	288	445	364	190	320
220	326	505	422	200	335



TSMA-J06 TSMA-J07

Operating Limits

Pressure: $\leq 1.6\text{MPa}$
 Speed: $\leq 1000\text{rpm}$
 Temperature: $-60^{\circ}\text{C} \sim +260^{\circ}\text{C}$

- Rotary Ring(SiC/Carbon/TC)
- Stationary Ring(SiC/Ceramic/TC)
- Secondary Seal(VITON/Encapsulated Ring/PTFE)
- Other Parts(SUS304/SUS316/Titanium/Hastelloy-C)

d (mm)	d ₁	d ₃	d ₄	l ₁	l ₂
40	91	175	110	160	205
50	107	240	176	170	220
60	120	240	176	185	240
80	149	275	204	200	270
100	174	305	234	205	285
125	199	330	260	225	315
140	218	395	313	255	345
160	237	395	313	235	330
180	263	445	364	260	355
200	288	445	364	280	385
220	326	505	422	305	415