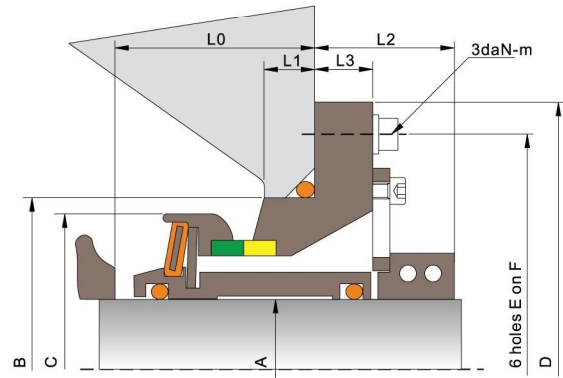
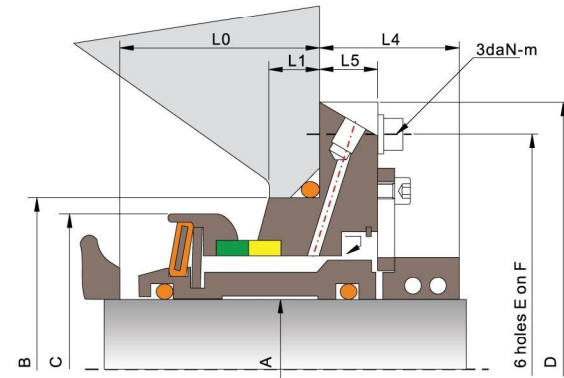


03



03C



03CP

### TSG03、TSG03C、TSG03CP

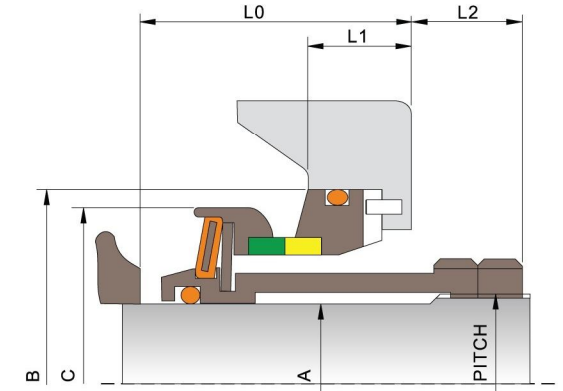
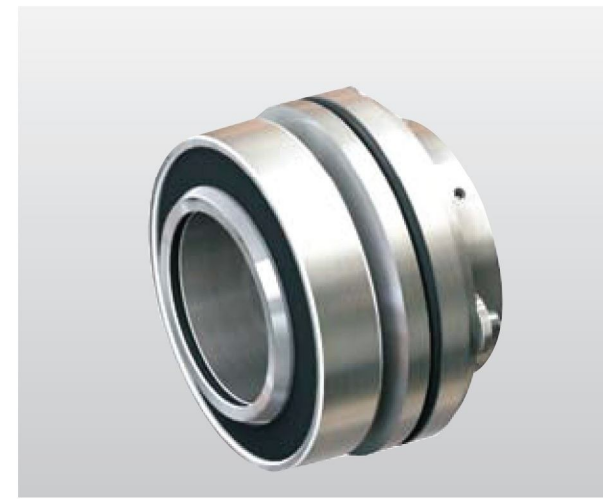
#### Operating Limits

Pressure:  $\leq 2\text{MPa}$   
 Speed:  $\leq 23\text{m/s}$   
 Temperature:  $-30^{\circ}\text{C} \sim +200^{\circ}\text{C}$

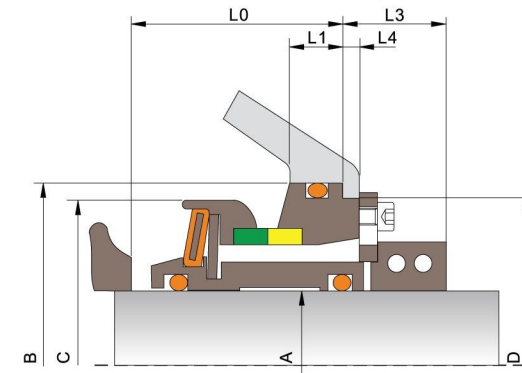
- Rotary Ring(SiC/TC)
- Stationary Ring(SiC/TC)
- Secondary Seal(VITON/EPDM/Kalrez)
- Spring & Other Parts(C-276/Duplex/SUS316)

Model	A	B	C	D	E	F	L0	L1	L2	L3	L4	L5
47x55	20~32	76	72	124	11	106	48.5	13	32	12	61.5	30
72x82	33~51	108	99	168	13	148	61	15	38	18	70	35
103x113	52~78	140	135	199	13	180	61	15	39	19	81	40
132x144	79~108	185	170	240	13	220	62	16	40	20	85	40
160x178	09~137	210	208	290	13	260	72	22	40	20	90	40
211x229	138~180	280	264	370	17	330	93	25	42	20	93	42

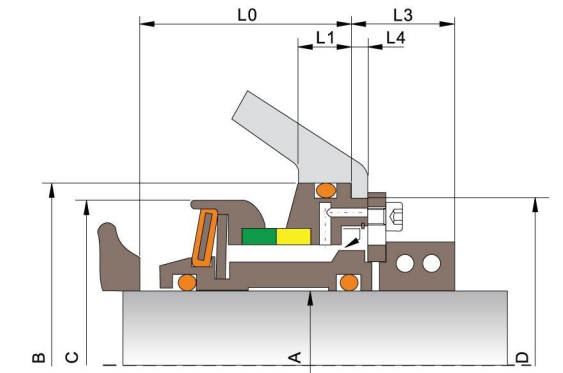
Pitch: please consult us according to diameter



13



43C



43CP

### TSG13、TSG43C、TCG43CP

#### Operating Limits

Pressure:  $\leq 2\text{MPa}$   
 Speed:  $\leq 23\text{m/s}$   
 Temperature:  $-30^{\circ}\text{C} \sim +200^{\circ}\text{C}$

- Rotary Ring(SiC/TC)
- Stationary Ring(SiC/TC)
- Secondary Seal(VITON/EPDM/Kalrez)
- Spring & Other Parts(C-276/Duplex/SUS316)

Model	A	B	C	D	L0	L1	L2	L3	L4
47x55	20~32	76	72	68	50.5	15	40.5	25	4
72x82	33~51	108	99	102	61	15	48	28	6
103x113	52~78	140	135	131	63	17	57	30	6
132x144	79~108	185	170	177	67	18	58	33	6
160x178	109~137	210	208	202	86	34	60	50	6
211x229	138~180	280	264	265	105	40	62	60	8

Pitch: please consult us according to diameter