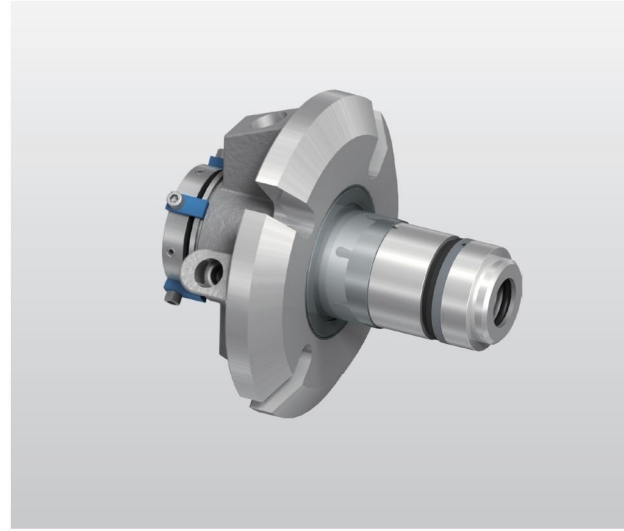


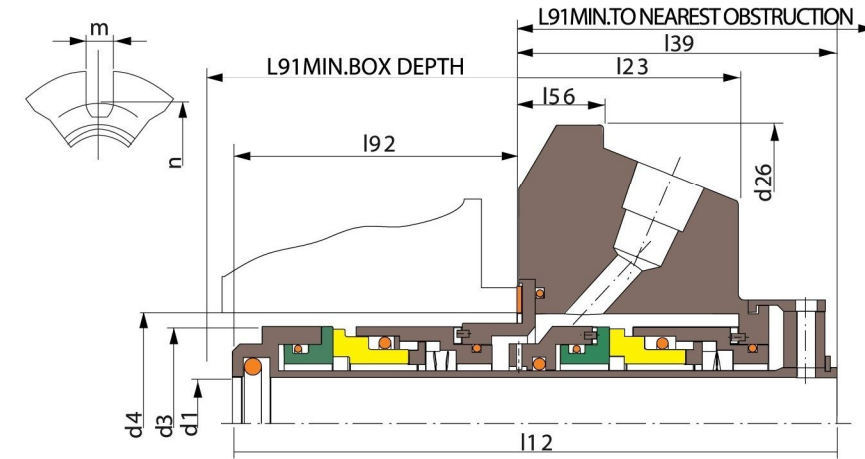
TSDC-J01

Operating Limits

Pressure: <2.1MPa (shaft diameter ≤ 75mm)
 <1.3MPa (shaft diameter > 75mm)
 Speed: ≤ 25m/s
 Temperature: -30°C ~ +205°C



TSDC-J01



- Rotary Ring(SiC/TC)
- Stationary Ring(SiC/Carbon)
- Secondary Seal(VITON/Encapsulated Ring/PTFE)
- Other Parts(SUS304/SUS316/Titanium/Hastelloy-C)

d ₁ (inches)	d ₃	d ₄		d ₂₆	l ₁₂	l ₂₃	l ₃₉	l ₅₆	l ₉₀	l ₉₁	l ₉₂	m	n
		min	max										
1.000	1.564	1.625	1.889	4.000	3.705	1.353	1.954	0.531	2.000	1.876	1.751	0.525	2.805
1.125	1.689	1.750	2.015	4.125	3.851	1.446	2.062	0.531	2.125	1.914	1.789	0.525	2.933
1.250	1.812	1.875	2.294	4.250	3.851	1.446	2.062	0.531	2.125	1.914	1.789	0.525	3.213
1.375	1.939	2.000	2.421	4.375	3.851	1.446	2.062	0.531	2.125	1.914	1.789	0.525	3.338
1.500	2.187	2.250	2.680	4.875	3.995	1.487	2.125	0.593	2.187	1.995	1.870	0.525	3.599
1.625	2.312	2.375	2.812	5.000	3.995	1.487	2.125	0.593	2.187	1.995	1.870	0.562	3.766
1.750	2.406	2.480	2.918	5.250	3.995	1.487	2.125	0.593	2.187	1.995	1.870	0.562	3.875
1.875	2.549	2.625	2.918	5.250	3.995	1.487	2.125	0.593	2.187	1.995	1.870	0.562	3.875
2.000	2.673	2.750	3.015	5.500	4.355	1.601	2.312	1.063	2.375	2.167	2.042	0.562	4.000
2.125	2.798	2.875	3.360	5.859	4.355	1.601	2.312	0.593	2.375	2.167	2.042	0.687	4.469
2.250	2.923	3.000	3.485	6.500	4.355	1.601	2.312	0.593	2.375	2.167	2.042	0.687	4.566
2.375	3.048	3.125	3.610	6.500	4.545	1.717	2.466	0.625	2.528	2.204	2.079	0.687	4.719
2.500	3.301	3.375	3.891	6.750	4.545	1.717	2.563	0.625	2.625	2.107	1.982	0.687	5.000
2.625	3.551	3.625	4.062	6.750	4.594	1.625	2.500	0.625	2.562	2.219	2.094	0.687	5.170
2.750	3.551	3.625	4.062	6.750	4.594	1.625	2.500	0.625	2.562	2.219	2.094	0.687	5.170
2.875	3.614	3.750	4.186	7.000	4.594	1.725	2.500	0.625	2.562	2.219	2.094	0.687	5.312
3.000	3.864	4.000	4.469	7.750	4.594	1.787	2.562	0.685	2.625	2.157	2.032	0.812	5.720
3.125	4.022	4.125	4.600	7.875	4.687	1.593	2.562	\	2.687	2.250	2.125	0.812	5.845
3.250	4.022	4.134	4.600	7.437	4.687	1.593	2.510	\	2.635	2.302	2.177	0.812	5.845
3.375	4.246	4.375	4.850	8.125	4.687	1.593	2.562	\	2.687	2.250	2.125	0.812	6.095
3.500	4.371	4.500	4.975	8.250	4.687	1.593	2.562	\	2.687	2.250	2.125	0.812	6.220
3.625	4.500	4.625	5.100	8.375	4.687	1.593	2.562	\	2.687	2.250	2.125	0.687	6.250
.750	4.625	4.724	5.199	8.750	4.687	1.593	2.562	\	2.687	2.250	2.125	0.687	6.770
3.875	4.750	4.875	5.375	8.750	4.687	1.593	2.562	\	2.687	2.250	2.125	0.812	6.636
4.000	4.875	5.000	5.500	9.000	4.687	1.593	2.562	\	2.687	2.250	2.125	0.812	6.761
4.125	5.000	5.125	5.625	9.000	4.687	1.593	2.562	\	2.687	2.250	2.125	0.812	6.886
4.250	5.125	5.250	5.750	9.250	4.687	1.593	2.562	\	2.687	2.250	2.125	0.812	7.011
4.500	5.375	5.500	6.000	9.500	4.687	1.593	2.562	\	2.687	2.250	2.125	0.812	7.261
4.750	5.625	5.750	6.313	10.375	4.687	1.593	2.562	\	2.687	2.250	2.125	0.812	7.574
5.000	6.125	6.760	7.260	12.000	5.515	1.749	3.043	\	3.168	2.598	2.473	0.812	10.00
5.250	6.375	7.010	7.510	12.250	5.515	1.749	3.043	\	3.168	2.598	2.473	0.812	10.25
5.500	6.625	7.500	8.000	12.687	5.515	1.749	3.043	\	3.168	2.598	2.473	0.937	10.50

d ₁ (mm)	d ₃	d ₄		d ₂₆	l ₁₂	l ₂₃	l ₃₉	l ₅₆	l ₉₀	l ₉₁	l ₉₂	m	n
		min	max										
24	39.7	41.3	48.0	101.6	94.1	34.4	49.6	13.5	50.8	47.7	44.5	13.3	71.2
25	39.7	41.3	48.0	101.6	94.1	34.4	49.6	13.5	50.8	47.7	44.5	13.3	71.2
28	42.9	44.5	51.2	104.8	97.8	36.7	52.4	13.5	54.0	48.6	45.4	13.3	74.5
30	44.5	46.1	56.5	108.0	97.8	36.7	52.4	13.5	54.0	48.6	45.4	13.3	79.9
32	46.0	47.6	58.3	108.0	97.8	36.7	52.4	13.5	54.0	48.6	45.4	13.3	81.6
33	49.3	50.8	61.5	111.1	97.8	36.7	52.4	13.5	54.0	48.6	45.4	13.3	84.8
35	49.3	50.8	61.5	111.1	97.8	36.7	52.4	13.5	54.0	48.6	45.4	13.3	84.8
38	55.5	57.2	68.1	123.8	101.5	37.8	54.0	15.1	55.5	50.7	47.5	13.3	91.4
40	58.7	60.3	71.4	127.0	101.5	37.8	54.0	15.1	55.5	50.7	47.5	14.3	95.7
43	61.1	63.0	74.1	133.4	101.5	37.8	54.0	15.1	55.5	50.7	47.5	14.3	98.4
45	61.1	63.0	74.1	133.4	101.5	37.8	54.0	15.1	55.5	50.7	47.5	14.3	98.4
48	64.7	66.7	74.1	133.4	101.5	37.8	54.0	15.1	55.5	50.7	47.5	14.3	98.4
50	67.9	70.0	76.6	139.7	110.6	40.7	58.7	27.0	60.3	55.0	51.9	14.3	101.6
53	71.1	73.0	85.3	148.8	110.6	40.7	58.7	15.1	60.3	55.0	51.9	17.4	113.5
55	72.9	75.0	85.3	148.8	110.6	40.7	58.7	15.1	60.3	55.0	51.9	17.4	113.5
58	74.2	76.2	88.5	165.1	110.6	40.7	58.7	15.1	60.3	55.0	51.9	17.4	116.0
60	77.4	79.4	91.7	165.1	115.4	43.6	62.6	15.9	64.2	56.0	52.8	17.4	119.9
63	83.8	85.7	98.8	171.5	115.4	43.6	65.1	15.9	66.7	53.5	50.3	17.4	127.0
65	83.8	85.7	98.8	171.5	115.4	43.6	65.1	15.9	66.7	53.5	50.3	17.4	127.0
68	90.2	92.1	103.2	171.5	116.7	41.3	63.5	15.9	65.1	56.4	53.2	17.4	131.3
70	90.2	92.1	103.2	171.5	116.7	41.3	63.5	15.9	65.1	56.4	53.2	17.4	131.3
75	98.1	101.6	113.5	196.9	116.7	45.4	65.1	17.4	66.7	54.8	51.6	20.6	145.3
80	102.2	105.0	116.8	188.9	119.0	40.5	63.8	\	66.9	58.5	55.3	20.6	148.5
85	107.9	111.1	123.2	206.4	119.0	40.5	65.1	\	68.3	57.2	54.0	20.6	154.8
90	114.3	117.5	129.5	212.7	119.0	40.5	65.1	\	68.3	57.2	54.0	17.5	158.6
95	117.5	120.0	132.1	222.3	119.0	40.5	65.1	\	68.3	57.2	54.0	17.5	172.0
100	123.8	127.0	139.7	228.6	119.0	40.5	65.1	\	68.3	57.2	54.0	20.6	171.7
105	127.0	130.2	142.9	228.6	119.0	40.5	65.1	\	68.3	57.2	54.0	20.6	174.9
110	136.5	139.7	152.4	241.3	119.0	40.5	65.1	\	68.3	57.2	54.0	20.6	184.4
115	136.5	139.7	152.4	241.3	119.0	40.5	65.1	\	68.3	57.2	54.0	20.6	184.4
120	142.9	146.1	160.4	263.5	119.0	40.5	65.1	\	68.3	57.2	54.0	20.6	192.4
125	155.6	171.7	184.4	304.8	140.1	44.4	77.3	\	80.5	66.0	62.8	20.6	254.0
130	161.9	178.1	190.8	311.2	140.1	44.4	77.3	\	80.5	66.0	62.8	20.6	260.4
135	168.3	190.5	203.2	322.3	140.1	44.4	77.3	\	80.5	66.0	62.8	20.8	266.7
40	168.3	190.5	203.2	322.3	140.1	44.4	77.3	\	80.5	66.0	62.8	20.8	266.7