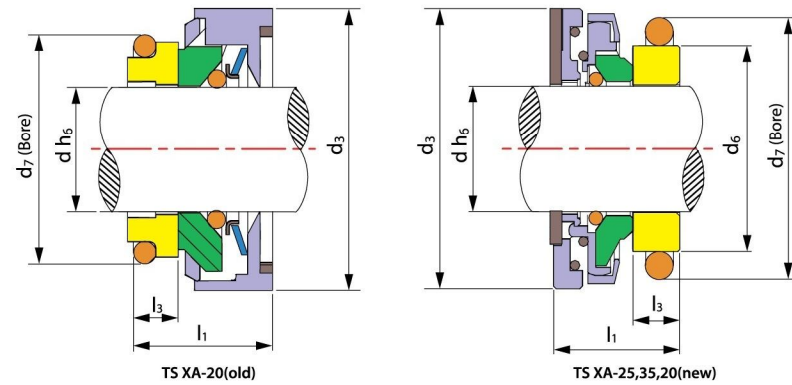




XA-20(old)



TS XA

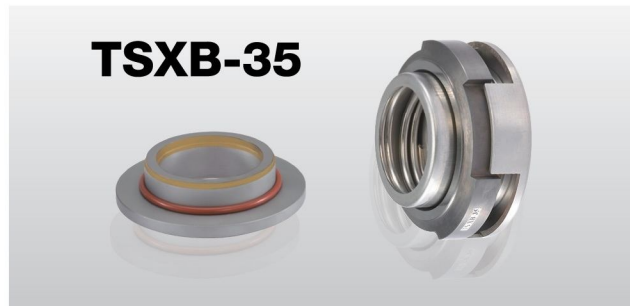
Operating Limits

Pressure: $\leq 1.2\text{MPa}$
 Speed: $\leq 10\text{m/s}$
 Temperature: $-30^{\circ}\text{C} \sim +200^{\circ}\text{C}$

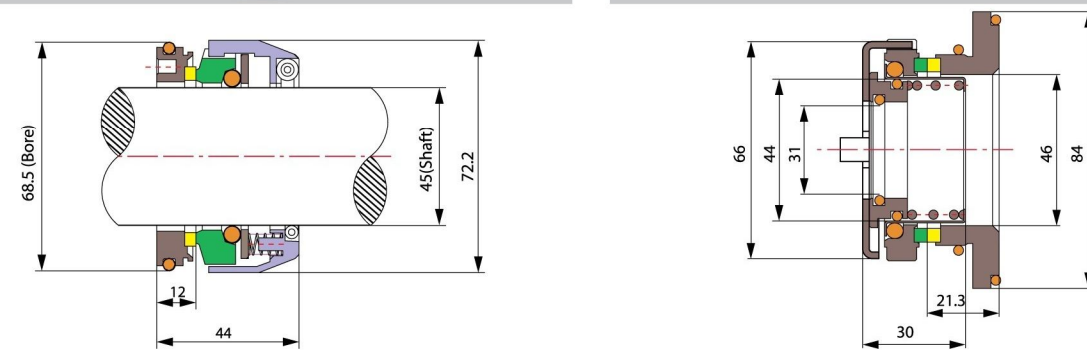
Seal size d(mm)	d ₃	d ₆	d ₇	l ₁	l ₃
XA-20	45.2	\	36	21.5	7.2
XA-25	54.0	35.2	42	21.0	6.0
XA-35	69.8	50.3	56	25.7	10.2



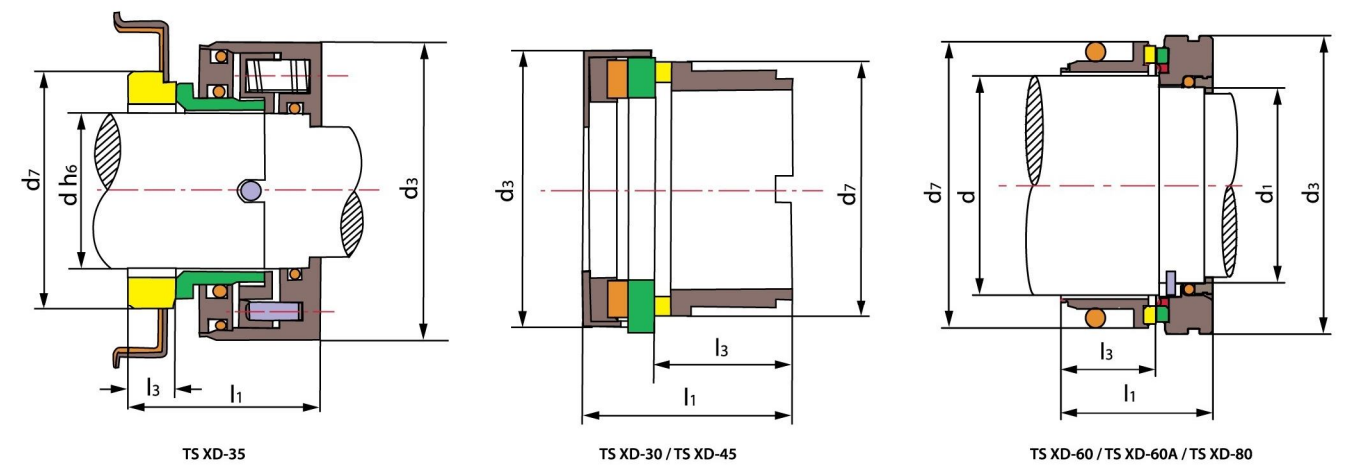
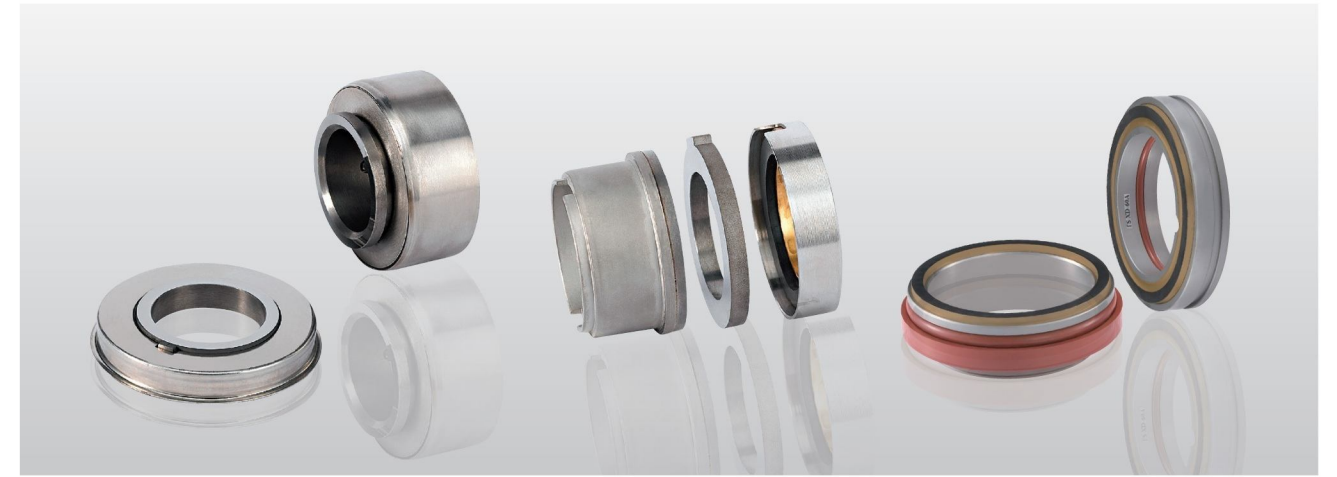
TSXC-45



TSXB-35



- Rotary Ring (Carbon/Ceramic/TC)
- Stationary Ring (Ceramic/TC)
- Secondary Seal (NBR/VITON)
- Spring & Other Parts (65Mn/SUS304/SUS316)
- Other Parts (Plastic)



TS XD

Operating Limits

Pressure: $\leq 1.2\text{MPa}$
 Speed: $\leq 10\text{ m/s}$
 Temperature: $-30^{\circ}\text{C} \sim +200^{\circ}\text{C}$

- Rotary Ring(SiC/TC)
- Stationary Ring(SiC/TC)
- O-Ring(NBR/EPDM/VITON)
- Stationary Seat(NBR/SUS304)
- Spring(SUS304/SUS316)
- Rotary Seat(SUS304/SUS316)
- Retainer(SUS304/SUS316)
- Elastic Screw(SUS304/SUS316)
- Drive Ring(SUS304/SUS316)

Seal size d(mm)	d	d ₁	d ₃	d ₇	l ₁	l ₃
30	\	\	50	46.0	37.6	24.6
35	35	\	67	53.5	42.8	10.3
45	\	\	65	63.0	39.5	26.5
60	60	55	83	83.0	44.3	28.0
60A	60	55	83	80.0	44.5	28.0
80	80	75	106	100.0	47.3	30.3