

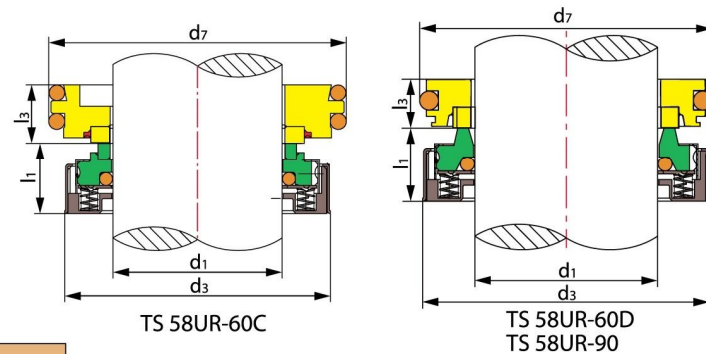
TS 58UR

Operating Limits

Pressure: $\leq 1.0\text{MPa}$
 Speed: $\leq 10\text{m/s}$
 Temperature: $-20^{\circ}\text{C} \sim +150^{\circ}\text{C}$



- Rotary Ring (Carbon/TC)
- Stationary Ring(TC)
- Secondary Seal(VITON/PTFE/NBR)
- Spring & Other Parts (SUS304/SUS316)

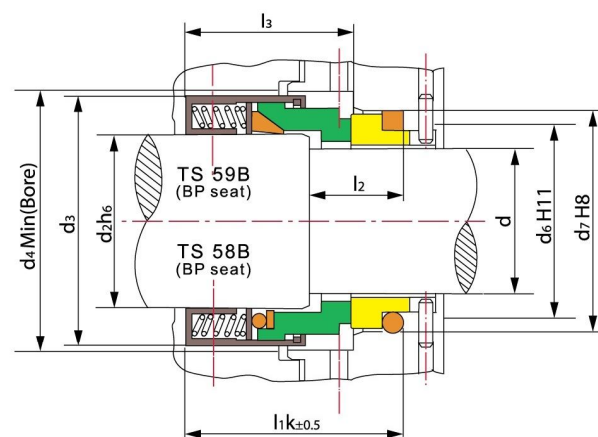


Model	d ₁ (mm)	d ₃	d ₇	l ₁	l ₃	Conform
TS58UR-60C	60	93.0	103.0	36	20.2	58UR-60B
TS58UR-60D	60	93.0	85.5	36	13.0	58UR-60A
TS58UR-90	90	116.5	115.0	32	16.0	\

TS 58B TS 59B

Operating Limits

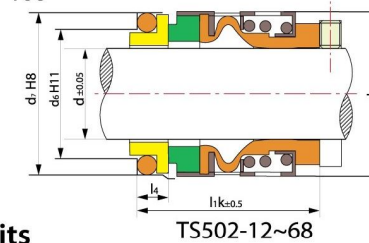
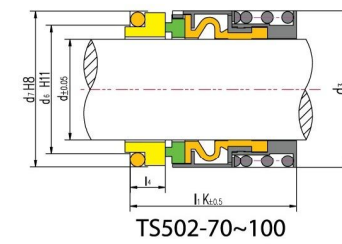
Pressure: $\leq 2.5\text{MPa}$
 Speed: $\leq 25\text{m/s}$
 Temperature: $-30^{\circ}\text{C} \sim +200^{\circ}\text{C}$



Seal size d(mm)	d ₂	d ₃	d ₄	l _{1k}	l ₂	l ₃	d ₆	d ₇
14	18	32	34	42.5	18	30.5	21	25
16	20	34	36	42.5	18	30.5	23	27
18	22	36	38	45.0	20	31.5	27	33
20	24	38	40	45.0	20	31.5	29	35
22	26	40	42	45.0	20	31.5	31	37
24	28	42	44	47.5	20	34.2	33	39
25	30	44	46	47.5	20	34.5	34	40
28	33	47	49	50.0	20	37.5	37	43
30	35	49	51	50.0	20	38.0	39	45
32	38	54	58	50.0	20	38.0	42	48
33	38	54	58	50.0	20	38.0	42	48
35	40	56	60	50.0	20	38.0	44	50
38	43	59	63	52.5	23	39.5	49	56
40	45	61	65	52.5	23	39.5	51	58
43	48	64	68	52.5	23	39.5	54	61
45	50	66	70	52.5	23	39.5	56	63
48	53	69	73	52.5	25	39.5	59	66
50	55	71	75	57.5	25	44.0	62	70
53	58	78	83	57.5	25	44.0	65	73
55	60	80	85	57.5	25	44.0	67	75
58	63	83	88	62.5	25	49.0	70	78
60	65	85	90	62.5	25	49.0	72	80
63	68	88	93	62.5	25	49.0	75	83
65	70	90	95	62.5	25	49.0	77	85
70	75	95	104	70.0	28	55.5	83	92
75	80	104	109	70.0	28	55.5	88	97
80	85	109	114	70.0	28	55.0	95	105
85	90	114	119	75.0	28	60.0	100	110
90	95	119	124	75.0	28	60.0	105	115
95	100	124	129	75.0	28	60.0	110	120
100	105	129	134	75.0	28	60.0	115	125

Design Features:

- a. Conform to ISO3069 and DIN24960 standards
- b. Balanced mechanical seal
- c. TS 58B is rubber O-ring, TS 59B is PTFE seal ring
- d. Materials same as TS 58U, TS 59U



TS 502

Operating Limits

Pressure: $\leq 4\text{MPa}$
 Speed: $\leq 13\text{m/s}$
 Temperature: $-30^{\circ}\text{C} \sim +200^{\circ}\text{C}$

- Rotary Ring (Carbon/SiC/TC)
- Stationary Ring (99%Ceramic/SiC/TC)
- Secondary Seal(VITON/NBR/Eppm)
- Spring & Other Parts (SUS304/SUS316)

TS 502 seal equip with BO seat (DIN24960), Other seats can also be provided, such as BP, BC seat.

Seal size d(mm)	d ₃	d ₆	d ₇	l _{1k}	l ₄
12	22.6	18.5	22.5	32.5	12.0
14	24	21	25	35.0	12.0
16	26	23	27	35.0	12.0
18	32	27	33	37.5	13.5
20	34	29	35	37.5	13.5
22	36	31	37	37.5	13.5
24	38	33	39	40.0	13.3
25	39	34	40	40.0	13.0
28	42	37	43	42.5	12.5
30	44	39	45	42.5	12.0
32	46	42	48	42.5	12.0
33	46	42	48	42.5	12.0
35	49	44	50	42.5	12.0
38	54	49	56	45.0	13.0
40	55	51	58	45.0	13.0
43	59	54	61	45.0	13.0
45	61	56	63	45.0	13.0
48	64	59	66	45.0	13.0
50	66	62	70	47.5	13.5
55	71	67	75	47.5	13.5
60	80	72	80	52.5	13.5
65	85	77	85	52.5	13.5
70	89	83	92	60.0	14.5
75	96	88	97	60.0	14.5
80	104	95	105	60.0	15.0
85	108	100	110	60.0	15.0
90	114	105	115	65.0	15.0
95	118	110	120	65.0	15.0
100	124	115	125	65.0	15.0